

# FourUs® Work Booth

Design: Anders Nørgaard



A great little environment for its occupant(s).

The FourUs® Work Booth offers an alternative space to relax, meet and focus. The upholstered sides provide visual barriers and the solution holds fantastic acoustic features. The FourUs® Work Booth serves as a multipurpose space and is designed to provide privacy and flexibility in the workspace.

---

Model: FourUs Work Booth, righth- or lefthanded

Frame: Steel, black (RAL 7021)

Accessories: Pivot table, TV-brackets, shelf, magazine racks.

## Tests

All products from Four Design are PVC-free.

## Warranty

Four Design provides an extended warranty of 5 years on all products in our official price list.

The warranty covers breakage of frames and damage occurred because of deficient

craftsmanship performance under normal use. The warranty shall lapse if the product shows signs of mishandling abuse or other physical damage. The warranty does not cover those parts of the product which are exposed to abrasion during use.



# FourUs® Work Booth

Design: Anders Nørgaard

## Materials

Frame: Pine

Ferrule: PE

Fabric: See price list

Plate: Masonite plates and plywood

Foam:

All sides: HR 3030, 5 mm. Seat: down foam RF 5060 GR, 60/30 mm.

Upper foam: RF 4040, 30/60 mm, Top surface: HR 35120, 20 mm.

Back: HR 3030, 5 mm.

Cushion: HR 2520, 165/56 mm.

Ear: HR 3030, 5 mm.

Accessories:

Shelf: Compact laminate, black

Metal fittings: S235, Ral 7021, Black

## Frame, steel

Frame: S235, RAL 7021, Black

## Dimensions

1500 x 2250 x 1250 mm.

Weight: 154 kg.

Dimensions are valid for chairs with polyshell w/o upholstery. other physical damage. The warranty does not cover those parts of the product which are exposed to abrasion during use.



# FourUs® Work Booth

Design: Anders Nørgaard



---

## Pivot table

Table tops: 1380 x 750 mm, 19 mm chipboard, black arpa fenix (RAL 0720).

Rail: Steel, Matt black.

Frame: Steel, Matt black. T-frame Ø 38.

Ferrule: Felt

Height: 650 mm.

Weight: 25 kg.

## TV brackets

Material and color: Steel 235, Black ruf (ral 7021)

Weight: 1,1 kg

Measurements: 647 x 65 x 277 mm.

VESA

100 x 100 mm. , 150 x 150 mm., 200 x 200 mm.

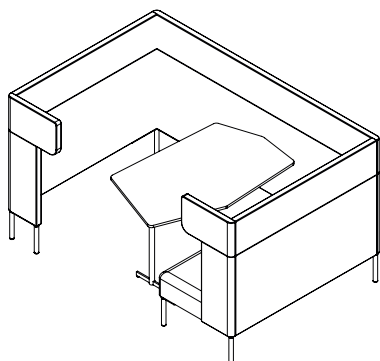
Max TV kg. 20 kg

We recommend max 32".



# FourUs® Work Booth

Design: Anders Nørgaard



**FourUs®** Work Booth

**FourUs®** Work Booth

## ISO14001

We are aware of our environmental responsibilities. We strive towards a minimal burden in the internal and external environment. The internal environment is evaluated through a careful examination of components and materials used in the production manufacturing processes. The external environment is monitored through laws and regulations.

It is important to Four Design that our suppliers abide to the environmental laws regarding production and handling of waste materials. It is our goal to always use environmentally friendly raw materials.

Four Design A/S can document our commitment to the environment.

We have been awarded the Miljøforum Fyn's Environment Diploma and obtained the ISO14001 certificate in 2011.

## Recycling

Metal parts: can be disposed and recycled by an approved environment and raw materials organization. Lacquered frames are treated with a paint classified as not dangerous according to directive 1999/45/EF.

## Maintenance

We kindly refer to our Maintenance Guide:  
[http://www.fourdesign.dk/pdf/FourDesign\\_Cleaning.pdf](http://www.fourdesign.dk/pdf/FourDesign_Cleaning.pdf)

