

# FourReal<sup>®</sup> Stool & Bench

Design: Strand + Hvass



The FourStool<sup>®</sup> and FourBanch<sup>®</sup> comprises banded oak seats with frames made of tubular steel in our palette of selected powder coatings. Simple and elegant solutions that can easily take different expression with the choice of upholstered seat padding. FourStool<sup>®</sup> and FourBanch<sup>®</sup> matches our other families in design as well as function.

---

Seat: Oak veneer

Upholstery: No upholstery / Partly upholstery / Full upholstery

Frame: Mat white (RAL9010) / Mat black (RAL 9005) / Mat Grey (RAL7039)

Delivered with black glides.

## Tests

All products from Four Design are PVC-free.

## Warranty

Four Design provides an extended warranty of 5 years on all products in our official price list.

The warranty covers breakage of frames and damage occurred because of deficient craftsmanship performance under normal use. The warranty shall lapse if the product shows signs of mishandling abuse or other physical damage. The warranty does not cover those parts of the product which are exposed to abrasion during use.



# FourReal<sup>®</sup> Stool & Bench

Design: Strand + Hvass

## Materials

### Seat

Oak veneer

Meets the RoHS and REACH directives and are halogenfree.

Upholstered shell: 9-11 layer veneer beechwood (10 mm).

Glue veneer: Casco Adhesive 1272.

Foam: Type CMHR-65H eco-tex standard 100. Complies with the REACH and RoHS directives, and The Furniture and Furnishings (Fire) (Safety)

Amended Regulations 1989 Schedule 1, Part 1.

Glue Foam: SABA Activator 3739, Aquabond RSD 3801 blue.

Foam thickness: Partly upholstered: 35 mm.

Fully upholstered: 40 mm.

### Frame, bench

Tube, steel:  $\varnothing$  22 x 2, EN10305-3, E195

Glides: PP

### Frame, stool

Tube, steel:  $\varnothing$  18 x 2, EN10305-3, E195

Footrest, steel: Mat white (RAL9010) / Mat black (RAL 9005) / Mat Grey (RAL7039)

Glides: PP

### Dimensions

Four Stool

Four Stool 90

Four Stool 105

Four Bench 100

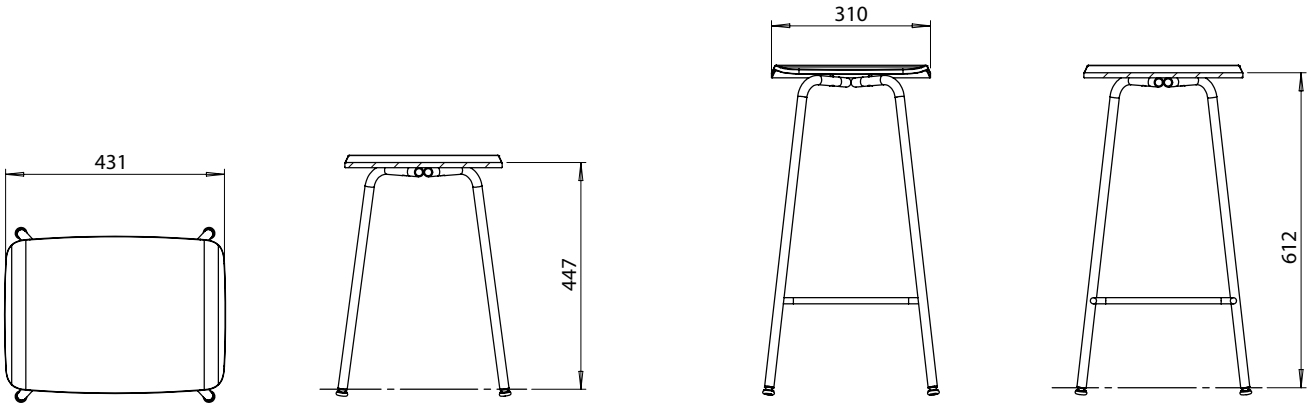
Four Bench 120

Four Bench 160



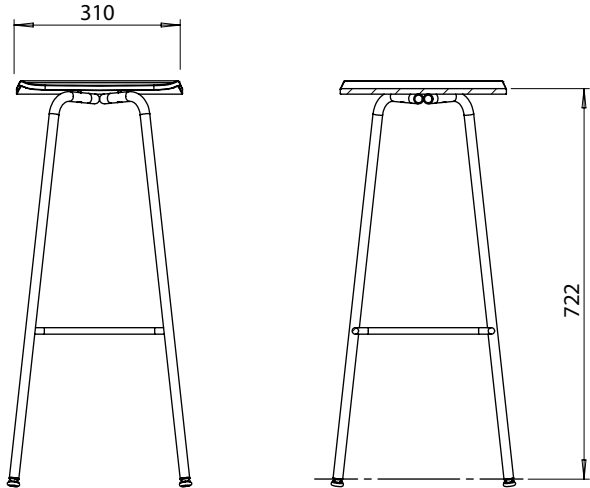
# FourReal<sup>®</sup> Stool & Bench

Design: Strand + Hvass



FourStool®

FourStool® 90

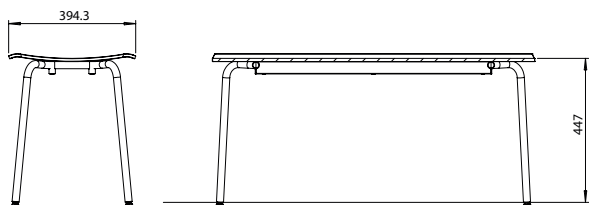


FourStool® 105

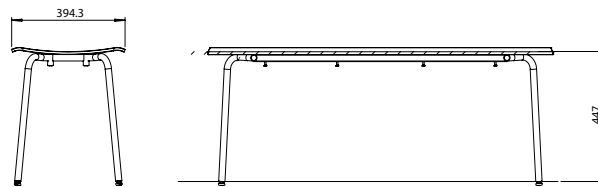


# FourReal<sup>®</sup> Stool & Bench

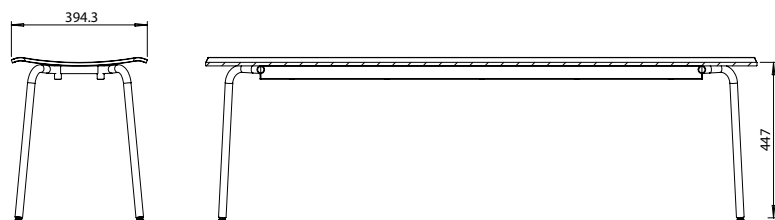
Design: Strand + Hvass



**FourBench<sup>®</sup> 100**



**FourBench<sup>®</sup> 120**



**FourBench<sup>®</sup> 160**

## ISO14001

We are aware of our environmental responsibilities. We strive towards a minimal burden in the internal and external environment. The internal environment is evaluated through a careful examination of components and materials used in the production manufacturing processes. The external environment is monitored through laws and regulations.

It is important to Four Design that our suppliers abide to the environmental laws regarding production and handling of waste materials. It is our goal to always use environmentally friendly raw materials.

Four Design A/S can document our commitment to the environment.

We have been awarded the Miljøforum Fyn's Environment Diploma and obtained the ISO14001 certificate in 2011.

## Recycling

General: The chair can be separated into parts.

Metal parts: can be disposed and recycled by an approved environment and raw materials

organization. Lacquered frames are treated with a paint classified as not dangerous according to directive 1999/45/EF.

Poly shells: can be recycled. The shell will be granulated and reused in new seat shell production.

Upholstery and veneer shells is not recyclable, They must be disposed by incineration

## Maintenance

We kindly refer to our Maintenance Guide:  
[http://www.fourdesign.dk/pdf/FourDesign\\_Cleaning.pdf](http://www.fourdesign.dk/pdf/FourDesign_Cleaning.pdf)

