

# Four Us<sup>®</sup> 3 Seater

Design Anders Nørgaard



**Need a little extra room?** The Four Us<sup>®</sup> family has grown, and we now present the Four Us<sup>®</sup> 3-Seater. Created with your comfort in mind, the FOUR<sup>®</sup>US sofas form a place with the best conditions for a relaxing break – and with the new and extended 3 seater, more people can join in!

In co-operation with award winning designer Anders Nørgaard, we have created the visionary zoning concept FOUR<sup>®</sup>US. With their minimalistic design inspired by Danish 50's classics, the Four Us<sup>®</sup> sofas are both modern and pleasing to the eye. We also considered your comfort and designed the sofa with an extra-supportive cushion to take great care of your back.

The Four Us<sup>®</sup> family features several modules and countless options when it comes to colour and choice of fabric, thus giving you the possibility to personalise your new sofa. With Four Us<sup>®</sup> you get a room with better acoustic, aesthetic design and diversity – you get a room with opportunities!

## Models

Four Us<sup>®</sup> 3-Seater Bench, Extension, Ear

Frame: 4-legged, skid frame, wooden legs

Accessories: Inno Tab, linking device, magazine rack, skid frame, wooden legs



# Four Us<sup>®</sup> 3 Seater

Design Anders Nørgaard

## Materials

Frame: Pine

Ferrule: PE

Plate: Masonite plates and plywood

Frame: S235, RAL 7021, Black

## Foam:

All sides: HR 3030, 5 mm. Seat: down foam RF 5060 GR, 60/30 mm.

Upper foam: RF 4040, 30/60 mm, Top surface: HR 35120, 20 mm.

Back: HR 3030, 5 mm.

Cushion: HR 2520, 165/56 mm.

Extension: HR 3030, 5 mm.

Ear: HR 3030, 5 mm.

## Inno Tab:

Arm: S235, Ral 7021, Black

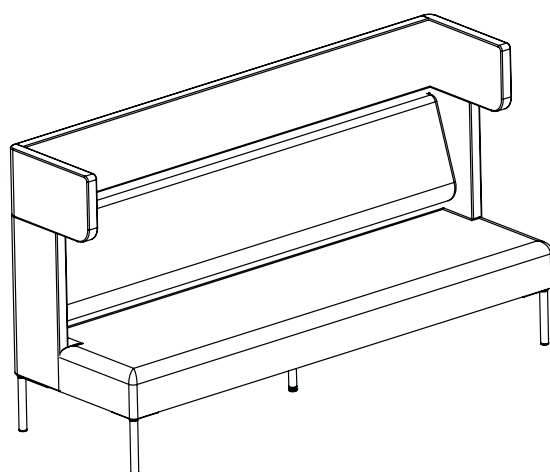
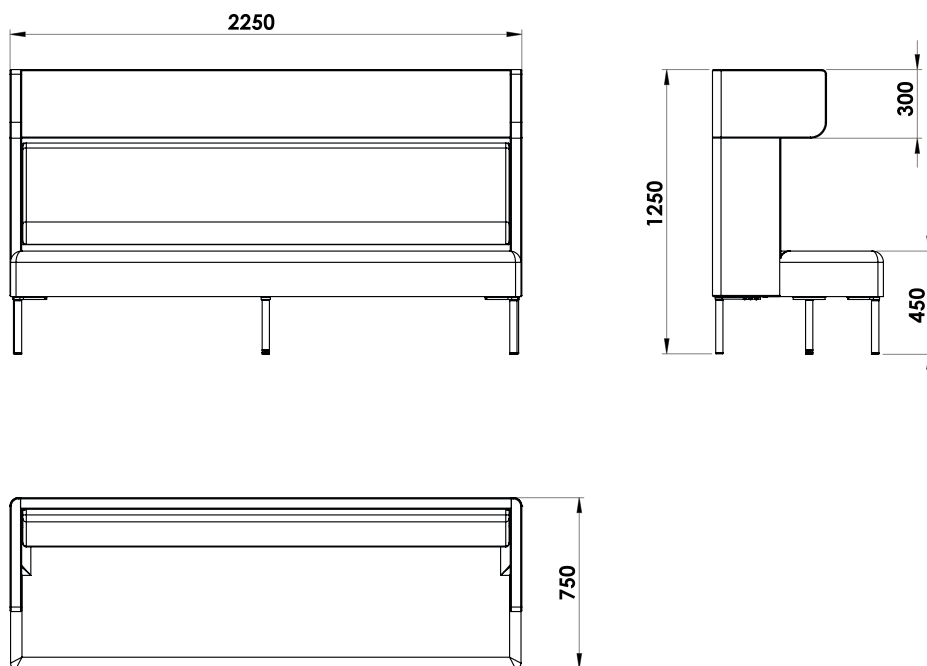
Sleeve: POM

Plate: Compact laminate, Black



# Four Us<sup>®</sup> 3 Seater

Design Anders Nørgaard

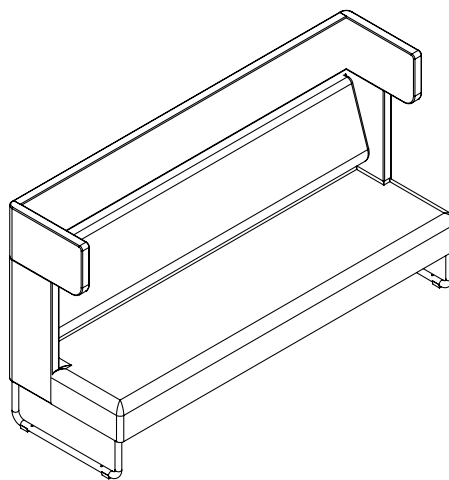


# Four Us<sup>®</sup> 3 Seater

Design Anders Nørgaard



Skid frame  
Steel 235, Black ruf (RAL 7021)  
Measurements: 718 x 149 x 250 mm



# Four Us<sup>®</sup> 3 Seater

Design Anders Nørgaard

## ISO14001

We are aware of our environmental responsibilities. We strive towards a minimal burden in the internal and external environment. The internal environment is evaluated through a careful examination of components and materials used in the production manufacturing processes. The external

environment is monitored through laws and regulations.

It is important to Four Design that our suppliers abide to the environmental laws regarding production and handling of waste materials. It is our goal to always use environmentally friendly raw materials.

Four Design A/S can document our commitment to the environment.

We have been awarded the Miljøforum Fyn's Environment Diploma and obtained the ISO14001 certificate in 2011.

## Recycling

In general: The modules can be separated in to components, tree and metal.

Metal parts: All metal parts of Four®Design sofas can be recycled by an approved environment and raw materials organisation.

Parts in powder coating is classified as 'not dangerous to the environment'.

Wood, fabric & foam are non-recyclable parts and are disposed properly by combustion.

## Maintenance

We kindly refer to our Maintenance Guide:  
[http://www.fourdesign.dk/pdf/FourDesign\\_Cleaning.pdf](http://www.fourdesign.dk/pdf/FourDesign_Cleaning.pdf)

## Warranty

Four Design provides an extended warranty of 5 years on all products in our official price list.

The warranty covers breakage of frames and damage occurred because of deficient craftsmanship performance under normal use. The warranty shall lapse if the product shows signs of mishandling abuse or other physical damage. The warranty does not cover those parts of the product which are exposed to abrasion during use.

## Tests

Polysheils: ZEK / 01.2-08, Testing and Validation of Polycyclic Aromatic Hydro-carbons (PAH).

All products from Four Design are PVC-free.

