

# Four Us Booth®

*Design: Anders Nørgaard*



Four Us Booth® is everything from a classic sofa to an innovative modular Zoning system. It creates a place for you with the best conditions for interacting. With Four Us® you get a room with better acoustic, aesthetic design and diversity – you get a room with opportunities.

We have created the comfortable Zoning koncept Four Us Booth® together with award winning designer Anders Nørgaard. It is visionary, modern and it provides a flexible and dynamic solution that invites you in. Four Us Booth® meets the need for an informal space for contemplation and interaction.

## Models

Four Us Booth®

**Frame:** Steel, black (RAL 7021)

**Accessories:** TV-brackets, Pivot table, shelf

# Four Us Booth<sup>®</sup>

*Design: Anders Nørgaard*

## Materials

Frame: Pine

Ferrule: PE

Fabric: See price list

Plate: Masonite plates and plywood

Frame: S235, RAL 7021, Black

Foam:

All sides: HR 3030, 5 mm. Seat: down foam RF 5060 GR, 60/30 mm.

Upper foam: RF 4040, 30/60 mm, Top surface: HR 35120, 20 mm.

Back: HR 3030, 5 mm.

Cushion: HR 2520, 165/56 mm.

Ear: HR 3030, 5 mm.

Accessories:

Shelf: Compact laminate, black

Metal fittings: S235, Ral 7021, Black

Inno<sup>®</sup>Tab:

Arm: S235, Ral 7021, Black

Sleeve: POM

Plate: Compact laminate, Black

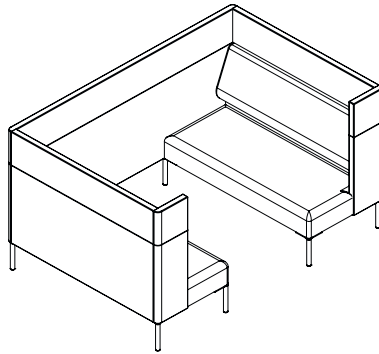
## Dimensions

1500 x 2250 x 1250 mm.

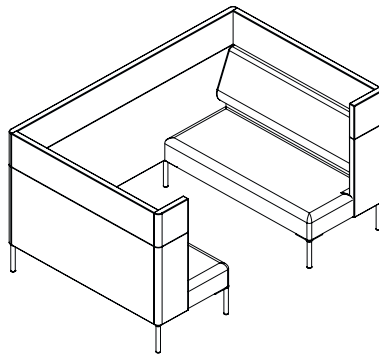
Weight: 135 kg.

# Four Us Booth<sup>®</sup>

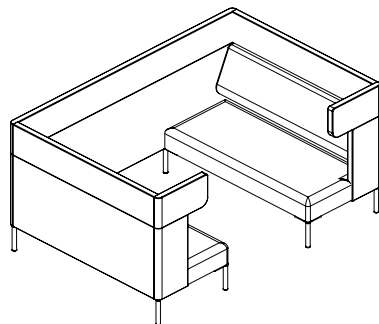
*Design: Anders Nørgaard*



Four Us Bench Booth



Four Us Booth



Four Us Booth Ear

# Four Us Booth<sup>®</sup>

Design: Anders Nørgaard



## Pivot table

Table tops: 1380 x 750 mm, 19 mm chipboard, black arpa fenix (RAL 0720).

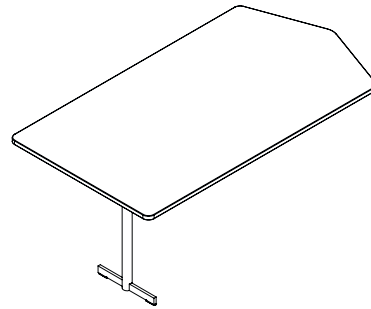
Rail: Steel, Matt black.

Frame: Steel, Matt black. T-frame Ø 38.

Ferrule: Felt

Height: 650 mm.

Weight: 25 kg.



## TV brackets

Material and color: Steel 235, Black ruf (ral 7021)

Weight: 1,1 kg

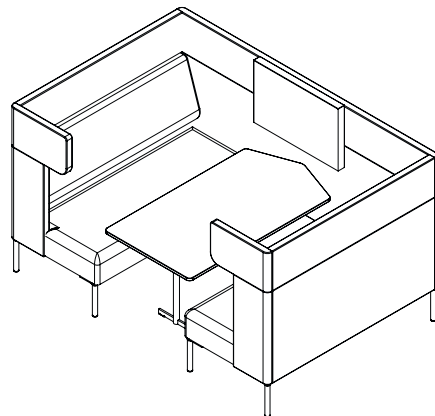
Measurements: 647 x 65 x 277 mm.

VESA

100 x 100 mm., 150 x 150 mm., 200 x 200 mm.

Max TV kg. 20 kg

We recommend max 32".



# Four Us Booth<sup>®</sup>

*Design: Anders Nørgaard*

## ISO14001

We are aware of our environmental responsibilities. We strive towards a minimal burden in the internal and external environment. The internal environment is evaluated through a careful examination of components and materials used in the production manufacturing processes. The external environment is monitored through laws and regulations.

It is important to Four Design that our suppliers abide to the environmental laws regarding production and handling of waste materials. It is our goal to always use environmentally friendly raw materials.

Four Design A/S can document our commitment to the environment.

We have been awarded the Miljøforum Fyn's Environment Diploma and obtained the ISO14001 certificate in 2011.

## Recycling

In general: The modules can be separated in to components, tree and metal.

Metal parts: All metal parts of Four<sup>®</sup>Design sofas can be recycled by an approved environment and raw materials organisation.

Parts in powder coating is classified as 'not dangerous to the environment'.

Wood, fabric & foam are non-recyclable parts and are disposed properly by combustion.

## Maintenance

We kindly refer to our Maintenance Guide:  
[http://www.fourdesign.dk/pdf/FourDesign\\_Cleaning.pdf](http://www.fourdesign.dk/pdf/FourDesign_Cleaning.pdf)

## Warranty

Four Design provides an extended warranty of 5 years on all products in our official price list.

The warranty covers breakage of frames and damage occurred because of deficient craftsmanship performance under normal use.

The warranty shall lapse if the product shows signs of mishandling abuse or other physical damage. The warranty does not cover those parts of the product which are exposed to abrasion during use.

## Tests

Polysheils: ZEK / 01.2-08. Testing and Validation of Polycyclic Aromatic Hydro-carbons (PAH).  
All products from Four Design are PVC-free.

- EN16139