

# Four Us<sup>®</sup>

*Design: Anders Nørgaard*



Four Us<sup>®</sup> is a family of upholstered, zoning solutions in linkable modules. With Four<sup>®</sup> Us we give you the possibilities for you to give your space meaning.

## Models

Four Us<sup>®</sup> Bench, Extension, Ear, Cave, Daybed, Stool

**Frame:** 4-legged, skid frame and wooden legs

**Accessories:** Inno Tab, shelf, castors, skid frame, wooden legs, linking device

# Four Us<sup>®</sup>

*Design: Anders Nørgaard*

## Materials

Frame: Pine

Ferrule: PE

Plate: Masonite plates and plywood

Frame: S235, RAL 7021, Black

Foam:

All sides: HR 3030, 5 mm. Seat: down foam RF 5060 GR, 60/30 mm.

Upper foam: RF 4040, 30/60 mm, Top surface: HR 35120, 20 mm.

Back: HR 3030, 5 mm.

Cushion: HR 2520, 165/56 mm.

Extension: HR 3030, 5 mm.

Ear: HR 3030, 5 mm.

Cave: HR 3030, 5 mm.

Stool: RF 5060, 90 mm, top surface HR 35120, 20 mm.

Accessories:

Shelf: Compact laminate, black

Metal fittings: S235, Ral 7021, Black

Inno Tab:

Arm: S235, Ral 7021, Black

Sleeve: POM

Plate: Compact laminate, Black

Castors: PA6

Linking device: PA6 + 30 glass.

## Dimensions

Bench: 1500 x 750 x 950 mm

Weight: 42 kg

Extension: 1500 x 750 x 1250 mm

Weight: 56 kg

Ear: 1500 x 750 x 1250 mm

Weight: 58 kg

Cave: 1500 x 750 x 1500 mm

Weight: 68 kg

Daybed: 1500 x 750 x 450 mm

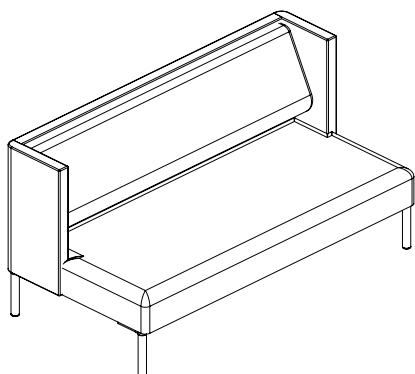
Weight: 11 kg

Stool: 750 x 750 x 450 mm

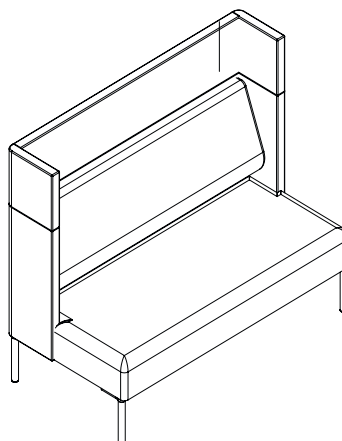
Weight: 22 kg

# Four Us<sup>®</sup>

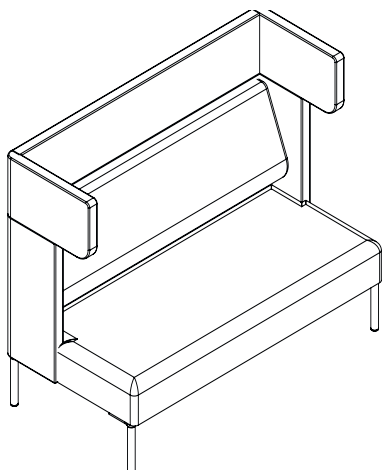
Design: Anders Nørgaard



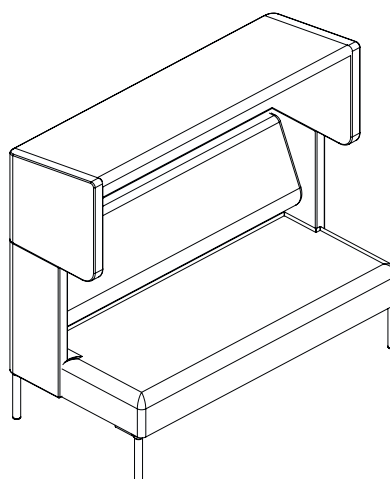
Four Us



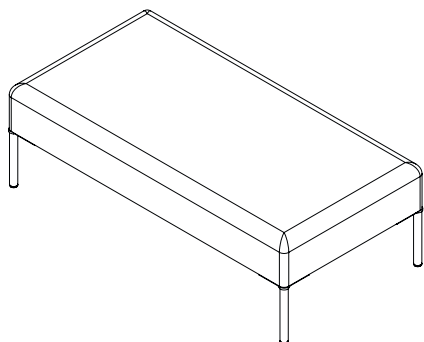
Four Us Extension



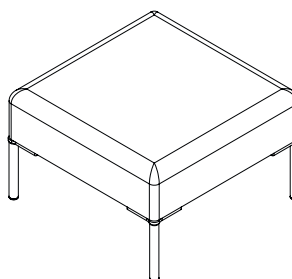
Four Us Ear



Four Us Cave



Four Us Daybed



Four Us Stool

# FourUs<sup>®</sup>

*Design: Anders Nørgaard*

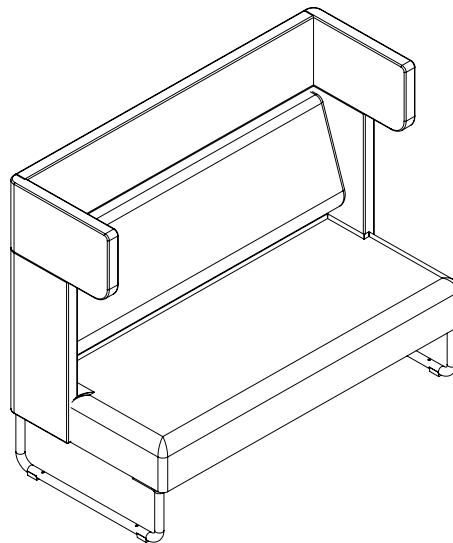


## **NEW skid frame**

Steel 235, Black ruf (RAL 7021)

Weight: 3,3 kg

Measurements: 718 x 149 x 250 mm



# Four Us<sup>®</sup>

*Design: Anders Nørgaard*

## ISO14001

We are aware of our environmental responsibilities. We strive towards a minimal burden in the internal and external environment. The internal environment is evaluated through a careful examination of components and materials used in the production manufacturing processes. The external environment is monitored through laws and regulations.

It is important to Four Design that our suppliers abide to the environmental laws regarding production and handling of waste materials. It is our goal to always use environmentally friendly raw materials.

Four Design A/S can document our commitment to the environment.

We have been awarded the Miljøforum Fyn's Environment Diploma and obtained the ISO14001 certificate in 2011.

## Recycling

In general: The modules can be separated into components, tree and metal.

Metal parts: All metal parts of Four<sup>®</sup>Design sofas can be recycled by an approved environment and raw materials organisation.

Parts in powder coating is classified as 'not dangerous to the environment'.

Wood, fabric & foam are non-recyclable parts and are disposed properly by combustion.

## Maintenance

We kindly refer to our Maintenance Guide:  
[http://www.fourdesign.dk/pdf/FourDesign\\_Cleaning.pdf](http://www.fourdesign.dk/pdf/FourDesign_Cleaning.pdf)

## Warranty

Four Design provides an extended warranty of 5 years on all products in our official price list.

The warranty covers breakage of frames and damage occurred because of deficient craftsmanship performance under normal use.

The warranty shall lapse if the product shows signs of mishandling abuse or other physical damage. The warranty does not cover those parts of the product which are exposed to abrasion during use.

## Tests

Polysheils: ZEK / 01.2-08. Testing and Validation of Polycyclic Aromatic Hydro-carbons (PAH).  
All products from Four Design are PVC-free.

- EN16139. L2