

Four Us Worx[®]

Design: Anders Nørgaard



Four Us Worx[®] is a touch down work space for one person. The desk is framed with upholstered sides, that creates a visual, calm barrier for privacy so you can work undisturbed or have a comfy moment by yourself. The solution fits nicely in the open space layout as it activates dead squaremeters and is easily moved for refiguration.

Models

Frame: Steel and wooden legs

Frame surface: Black (RAL 7021)

Accessories: Wooden legs, chair suspension

Four Us Worx[®]

Design: Anders Nørgaard

Materials

Frame: Pine

Foam 5 mm.

Mounting: Steel, black matt.

Frame

Legs: $\varnothing 32 \times 2.5$ mm., S235 steel, EN 10305-3 F300C

Rail: Aluminium EN AW-6063 T.

Folding mechanism: Domex 240 – FE 360 D2 steel

2 integrated castors PUR/PA6

2 height adjustment glides: LDPE (not on slanted legs)

Rubber cushions: EPDM Gummi

Spacer blocks: LDPE

Cable duct: Aluminium

Table top

Chip board with black fenix-nano laminate and ABS-edge. Thickness: 19 mm.

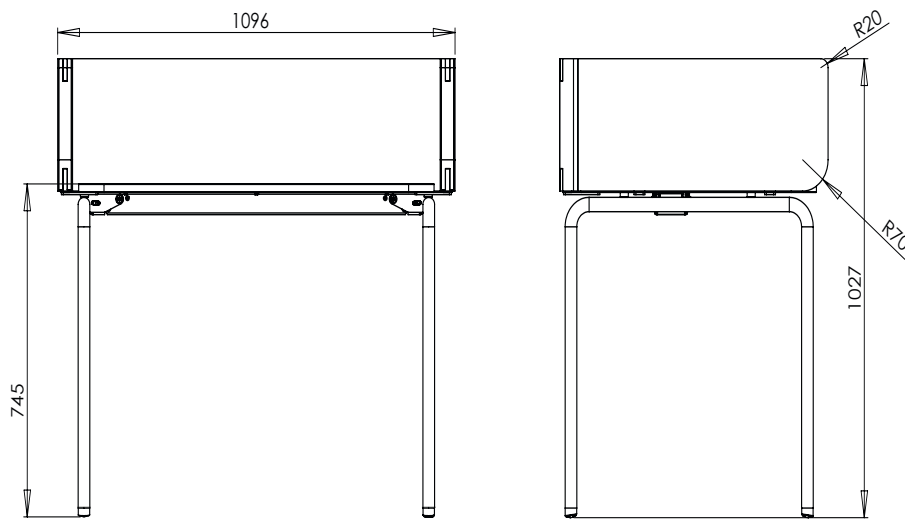
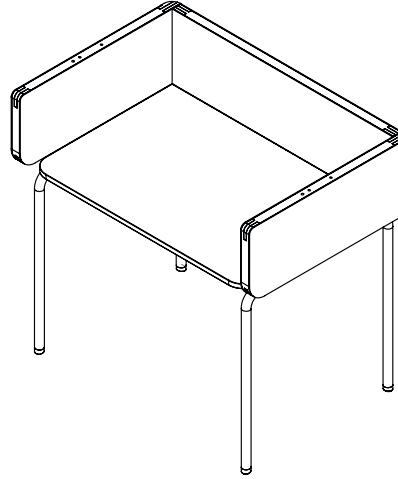
Dimensions

1100 x 750 x 970 mm.

Weight: 32 kg.

Four Us Worx[®]

Design: Anders Nørgaard



Four Us Worx[®]

Design: Anders Nørgaard

ISO14001

We are aware of our environmental responsibilities. We strive towards a minimal burden in the internal and external environment. The internal environment is evaluated through a careful examination of components and materials used in the production manufacturing processes. The external environment is monitored through laws and regulations.

It is important to Four Design that our suppliers abide to the environmental laws regarding production and handling of waste materials. It is our goal to always use environmentally friendly raw materials. Four Design A/S can document our commitment to the environment.

We have been awarded the Miljøforum Fyn's Environment Diploma and obtained the ISO14001 certificate in 2011.

Maintenance

We kindly refer to our Maintenance Guide:
http://www.fourdesign.dk/pdf/FourDesign_Cleaning.pdf

Warranty

Four Design provides an extended warranty of 5 years on all products in our official price list.

The warranty covers breakage of frames and damage occurred because of deficient craftsmanship performance under normal use.

The warranty shall lapse if the product shows signs of mishandling abuse or other physical damage. The warranty does not cover those parts of the product which are exposed to abrasion during use.

Tests

All products from Four Design are PVC-free.