

Four[®] Cast2 Four

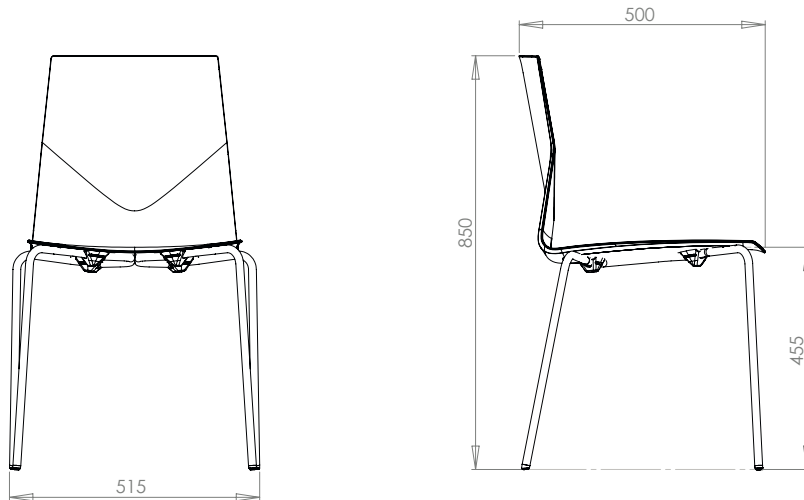
Design: Strand & Hvass



The multifunctional four-legged stacking shell chair with a flexible v-shaped back, designed to offer maximum support. Additional extras can be added to ensure even more efficiency and better ergonomic handling in canteen- or conference facilities, where the chair is frequently used.

Four[®] Cast2 Four

Design: Strand & Hvass



Materials:

Shell

Polyshell: PP, glassfibre reinforced (15%), recyclable.

Meets the RoHS and REACH directives and are halogenfree.

Can be delivered in a 100% recycled material (color: black).

Colors: See next page. Other colors available on request.

Upholstered shell: 9-11 layer veneer beechwood (12 mm).

Glue veneer: Casco Adhesive 1272.

Foam: Type CMHR-65H eco-tex standard 100. Complies with the REACH and RoHS directives, and The Furniture and Furnishings (Fire) (Safety)

Amended Regulations 1989 Schedule 1, Part 1.

Glue Foam: SABA Activator 3739, Aquabond RSD 3801 blue.

Foam thickness: Seat upholstery: 15 mm. Fully upholstered: 25 mm. (seat) - 10 mm. (back).

Frame

Frame: Tube: Ø16 X 2, Ducol 500.

Frame: Wood: Oiled oak Ø26 / 42. Rail 21 x 55 mm.

Rubber plates: PP.

Glides: PA

Upholstery protector: ABS

Lock: ABS/Pa6

Armrest: PP black + 15 % TPE (steel: S235)

About 50 per cent of the total EU steel production is derived from recycled steel.

Dimensions:

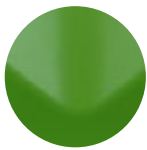
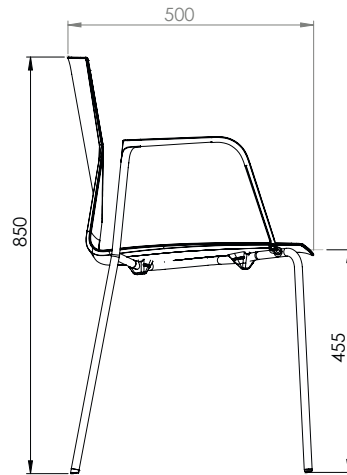
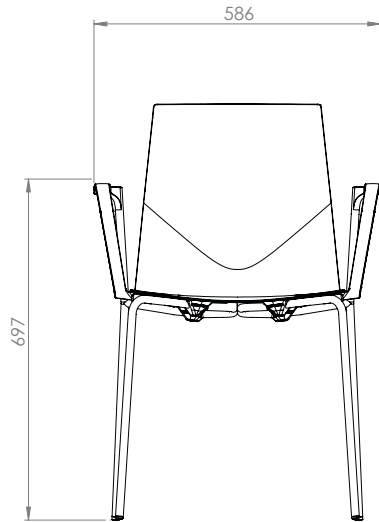
Weight: 4,8 kg no armrest /

5,6 kg with armrest.

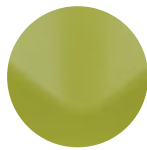
Dimensions are valid for chairs with polyshell
w/o upholstery.

Four[®] Cast2 Four

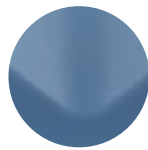
Design: Strand & Hvass



JUNGLE GREEN
NCS 4050-G40Y



OLIVE
NCS S2040-G80Y



AQUA
NCS S4020-B



ANTRACIT
NCS S9000-N



SNOW
RAL 9010



BLACK
RAL 7016



ORIENTAL RED
NCS S 1580-R



ORANGE
NCS S 2070-Y70R



BEACH
NCS S 2502-Y



NATURAL BLACK



OAK VENEER

Models:

Shell: Polypropylene

Upholstery: No upholstery / Seat Pad upholstery / Fully upholstery

Frame: Chrome (III) / Mat white (RAL9010) / Mat black (RAL 9005) / Mat Grey (RAL7039) / Mat Oriental Red / Mat Orange / Mat Jungle Green / Mat Aqua / Mat Olive / Wooden legs

Accessories:

- Griphole
- Hook (bags/jacket)
- Linking Device
- Armrest / Loop
- Inno[®]Note
- Chair Suspension
- Teflon / Felt / Noise reducing glides
- Trolley / Sack Trolley

Four[®] Cast2 Four

Design: Strand & Hvas



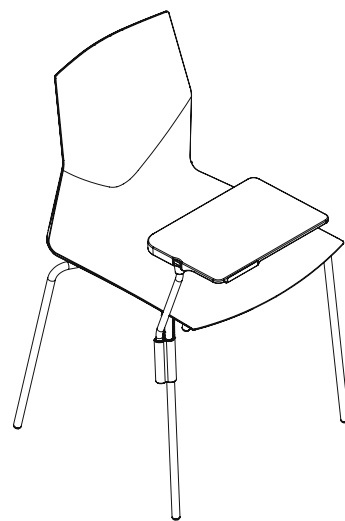
Inno[®]Note:

Writing tablet for Four[®]Cast2 Four with integrated cup holder. Detachable and foldable. Available for chairs with or w/o armrest.

Materials:

Writing tablet: ABS og PA6GF
Bracket: PA6GF, Cup holder: ABS + PP
Arm: Steel CK45, Chrome (III).

Dimensions: 225 x 325 x 20 mm.



Four[®] Cast2 Four

Design: Strand & Hvass

ISO14001:

We are aware of our environmental responsibilities. We strive towards a minimal burden in the internal and external environment. The internal environment is evaluated through a careful examination of components and materials used in the production manufacturing processes. The external environment is monitored through laws and regulations.

It is important to Four Design that our suppliers abide to the environmental laws regarding production and handling of waste materials. It is our goal to always use environmentally friendly raw materials. Four Design A/S can document our commitment to the environment.

We have been awarded the Miljøforum Fyn's Environment Diploma and obtained the ISO14001 certificate in 2011.

Recycling:

General: The chair can be separated into parts.

Metal parts: can be disposed and recycled by an approved environment and raw materials organization. Lacquered frames are treated with a paint classified as not dangerous according to directive 1999/45/EF.

Poly shells: can be recycled. The shell will be granulated and reused in new seat shell production.

Upholstery and veneer shells is not recyclable, They must be disposed by incineration

Maintenance:

We kindly refer to our Maintenance Guide:
http://www.fourdesign.dk/pdf/FourDesign_Cleaning.pdf

Warranty:

Four Design provides an extended warranty of 5 years on all products in our official price list.

The warranty covers breakage of frames and damage occurred because of deficient craftsmanship performance under normal use.

The warranty shall lapse if the product shows signs of mishandling abuse or other physical damage. The warranty does not cover those parts of the product which are exposed to abrasion during use.

Tests:

Polyshells: ZEK / 01.2-08, Testing and Validation of Polycyclic Aromatic Hydro-carbons (PAH).
All products from Four Design are PVC-free.

- Ansi/Bifma X 5.1 - 2011
- EN 16139 L2
- EN13761
- EN 1021-1