

# FourCast2<sup>®</sup> Line

Design: Strand+Hvass



The FourCast2<sup>®</sup> Line is a stackable unique chair designed to offer you the maximum comfort and ergonomic support thanks to the V-shaped back and flexible shell.

FourCast2<sup>®</sup> Line is available in attractive colors and in wooden shells.

---

Shell: Polypropylene

Upholstery: No upholstery / Seat Pad upholstery / Fully upholstery

Frame: Chrome (III) / Mat white (RAL9010) / Mat black (RAL 9005) / Mat Grey (RAL7039) /

Mat Oriental Red / Mat Orange / Mat Jungle Green / Mat Aqua / Mat Olive / Mat Beach / Mat Antracite

Accessories: Griphole, Hook (bags/jacket), Linking Device, Armrest, Inno@Note, Chair Suspension, Teflon / Felt glides, Trolley / Sack Trolley

## Tests

Ansi/Bifma X 5.1 - 2011  
EN 16139 L2  
EN 13761  
EN 1021-1  
GS

All products from Four Design are PVC-free.

## Warranty

Four Design provides an extended warranty of 5 years on all products in our official price list.

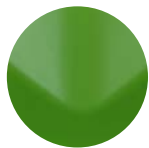
The warranty covers breakage of frames and damage occurred because of deficient

craftsmanship performance under normal use. The warranty shall lapse if the product shows signs of mishandling abuse or other physical damage. The warranty does not cover those parts of the product which are exposed to abrasion during use.



# FourCast2<sup>®</sup> Line

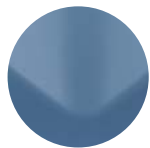
Design: Strand+Hvass



**JUNGLE GREEN**  
NCS 4050-G40Y



**OLIVE**  
NCS S2040-G80Y



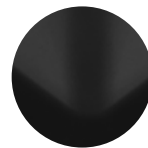
**AQUA**  
NCS S4020-B



**ANTRACIT**  
NCS S9000-N



**SNOW**  
RAL 9010



**BLACK**  
RAL 7016



**ORIENTAL RED**  
NCS S 1580-R



**ORANGE**  
NCS S 2070-Y70R



**BEACH**  
NCS S 2502-Y



**NATURAL BLACK**



**OAK VENEER**

## Materials

### Shell

Polyshell: PP, glassfibre reinforced (15%), recyclable.

Meets the RoHS and REACH directives and are halogenfree.

Can be delivered in a 100% recycled material (color: black).

Colors: See this page bottom right. Other colors available on request.

Upholstered shell: 9-11 layer veneer beechwood (12 mm.).

Glue veneer: Casco Adhesive 1272.

Foam: Type CMHR-65H eco-tex standard 100. Complies with the REACH and RoHS directives, and The Furniture and Furnishings (Fire) (Safety)

Amended Regulations 1989 Schedule 1, Part 1.

Glue Foam: SABA Activator 3739, Aquabond RSD 3801 blue.

Foam thickness: Seat upholstery: 15 mm. Fully upholstered: 25 mm. (seat) - 10 mm. (back).

Frame: wire: Ø11. St. 37

Glides: PA

Upholstery protector: PP

Lock: ABS/Pa6

### Frame, steel

Wire: Ø11. St. 37

Glides: PA

Upholstery protector: PP

Lock: ABS/Pa6

About 50 per cent of the total EU steel production is derived from recycled steel.

### Dimensions

Weight: 5.7 kg no armrest / 6.3 kg with armrest.

Dimensions are valid for chairs with polyshell w/o upholstery.

\*We kindly refer to our price list for dimensions on other models.



# FourCast2<sup>®</sup> Line

Design: Strand+Hvass



## Inno Note<sup>®</sup>

Writing tablet for Four<sup>®</sup>Cast2 Line with integrated cup holder.  
Detachable and foldable.  
Available for chairs with or w/o armrest.

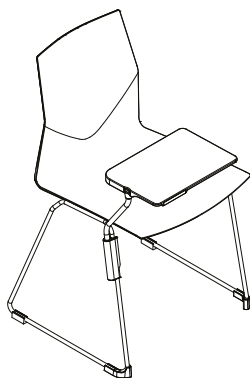
### Materials

Writing tablet: ABS og PA6GF  
Bracket: PA6GF, Cup holder: ABS + PP  
Arm: Steel CK45, Chrome (III).

Dimensions: 225 x 325 x 20 mm.

Trolley to Inno Note<sup>®</sup> (51)

L: 1530 mm x B: 660 mm x H: 1120 mm.

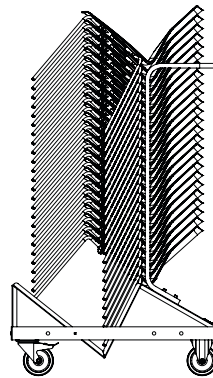


## Trollies

Trolley options for FourCast2 Line without upholstery (30 chairs)  
L: 1100 mm x B: 560 mm x H: 2010 mm

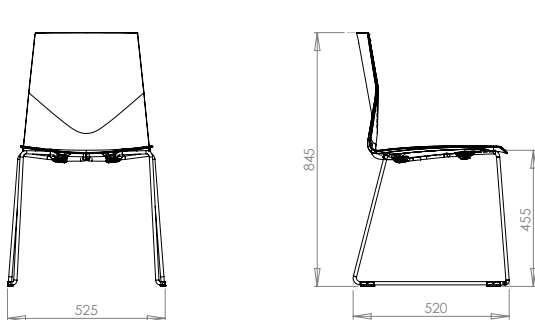
Trolley options for FourCast2 Line with seat or fully upholstered  
(19/20)  
L: 1100 mm x B: 560 mm x H: 1940/1970 mm

Sack Trolley for FourCast2 Line  
(12 chairs without upholstery and 10 chairs upholstered)

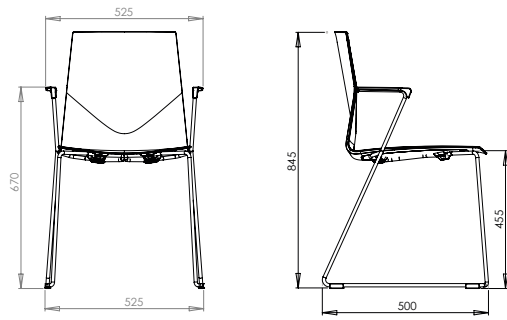


# FourCast2<sup>®</sup> Line

Design: Strand+Hvass



**FourCast2<sup>®</sup> Line**



**FourCast2<sup>®</sup> Line armrest**

## ISO14001

We are aware of our environmental responsibilities. We strive towards a minimal burden in the internal and external environment. The internal environment is evaluated through a careful examination of components and materials used in the production manufacturing processes. The external environment is monitored through laws and regulations.

It is important to Four Design that our suppliers abide to the environmental laws regarding production and handling of waste materials. It is our goal to always use environmentally friendly raw materials.

Four Design A/S can document our commitment to the environment.

We have been awarded the Miljøforum Fyn's Environment Diploma and obtained the ISO14001 certificate in 2011.

## Recycling

General: The chair can be separated into parts.

Metal parts: can be disposed and recycled by an approved environment and raw materials

organization. Lacquered frames are treated with a paint classified as not dangerous according to directive 1999/45/EF.

Poly shells: can be recycled. The shell will be granulated and reused in new seat shell production.

Upholstery and veneer shells is not recyclable, They must be disposed by incineration

## Maintenance

We kindly refer to our Maintenance Guide:

[http://www.fourdesign.dk/pdf/FourDesign\\_Cleaning.pdf](http://www.fourdesign.dk/pdf/FourDesign_Cleaning.pdf)

