

FourCast2[®] Wheeler

Design: Strand+Hvass



FourCast2[®] Wheeler[®] is a unique, adjustable chair designed to offer the maximum comfort and ergonomic support to any student at all hours thanks to the V-shaped back, the flexible shell, integrated tilt mechanism and gas lift.

Shell: Polypropylene

Upholstery: No upholstery / Seat Pad / Fully upholstered

Frame: Aluminium / Black

Accessories: Inno@Tab, extra high gaslift, Free Float, gaslift incl. footring, aluminium base, hook

Tests

Ansi/Bifma X 5.1 - 2011
EN 16139 L2
EN13761
EN 1021-1
GS

All products from Four Design are PVC-free.

Warranty

Four Design provides an extended warranty of 5 years on all products in our official price list.

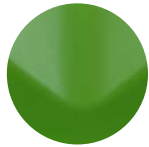
The warranty covers breakage of frames and damage occurred because of deficient

craftsmanship performance under normal use. The warranty shall lapse if the product shows signs of mishandling abuse or other physical damage. The warranty does not cover those parts of the product which are exposed to abrasion during use.



FourCast2[®] Wheeler

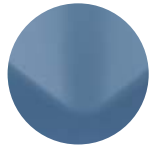
Design: Strand+Hvass



JUNGLE GREEN
NCS 4050-G40Y



OLIVE
NCS S2040-G80Y



AQUA
NCS S4020-B



ANTRACIT
NCS S9000-N



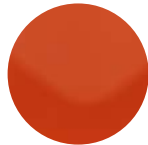
SNOW
RAL 9010



BLACK
RAL 7016



ORIENTAL RED
NCS S 1580-R



ORANGE
NCS S 2070-Y70R



BEACH
NCS S 2502-Y

Materials

Shell

PP, glassfibre reinforced (15%), recyclable. Recyclable. Meets the RoHS and REACH directives and are halogenfree.

Foam: Type CMHR-65H eco-tex standard 100 and The Furniture and Furnishings (Fire) (Safety) Amended Regulations 1989 Schedule 1, Part 1.

Upholstered shell: 9-11 layer veneer beechwood (12 mm).

Glue veneer: Casco Adhesive 1272.

Glue Foam: SABA Activator 3739, Aquabond RSD 3801 blue.

Foam thickness: Seat upholstery: 15 mm.

Fully upholstered: 25 mm. (seat) - 10 mm. (back).

Frame

Tube: Ø16 x 2, Ducol 500.

Ferrule: PA

Foam thickness: Seat 15 mm. Inside upholstery 15 mm.

Gas lift: St. 37

Lock: ABS/Pa6

Dimensions

Weight: 7,4 kg. with Inno®Tab: + 4,2 kg.

Dimensions are valid for chairs in polypropylene and without upholstery.

GS version

Wheels with brake (unloaded), big crossing, lower gas cylinder.



FourCast2[®] Wheeler

Design: Strand+Hvass

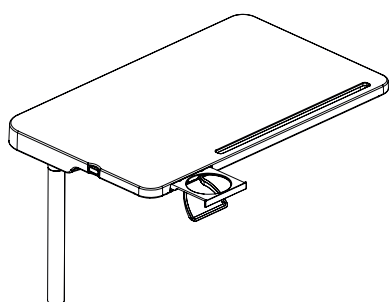


Inno Tab[®]

Foldable Inno Tab[®]: 20 mm ABS, PA6+GF30 inkl. cupholder ABS, PP

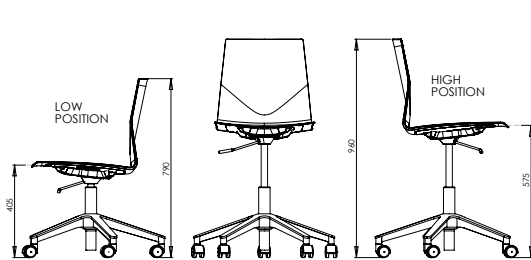
Dimensions: 520 x 320 mm.

Arm: Steel S235, powder coated, black.



FourCast2[®] Wheeler

Design: Strand+Hvass



FourCast2®Wheeler

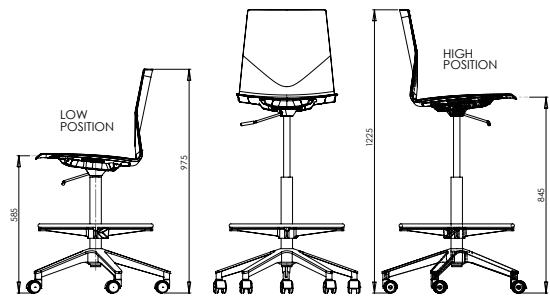
ISO14001

We are aware of our environmental responsibilities. We strive towards a minimal burden in the internal and external environment. The internal environment is evaluated through a careful examination of components and materials used in the production manufacturing processes. The external environment is monitored through laws and regulations.

It is important to Four Design that our suppliers abide to the environmental laws regarding production and handling of waste materials. It is our goal to always use environmentally friendly raw materials.

Four Design A/S can document our commitment to the environment.

We have been awarded the Miljøforum Fyn's Environment Diploma and obtained the ISO14001 certificate in 2011.



FourCast2® Wheeler gaslift + foodring

Recycling

General: The chair can be separated into parts.

Metal parts: can be disposed and recycled by an approved environment and raw materials

organization. Lacquered frames are treated with a paint classified as not dangerous according to directive 1999/45/EF.

Poly shells: can be recycled. The shell will be granulated and reused in new seat shell production.

Upholstery and veneer shells is not recyclable, They must be disposed by incineration

Maintenance

We kindly refer to our Maintenance Guide:

http://www.fourdesign.dk/pdf/FourDesign_Cleaning.pdf

