

Four Me 66[®]

Design: Strand & Hvass



The Four Me 66[®] armchair is part of the wide Four Me[®] chair family. With Inno Tab[®] added you get a perfect chair for educational establishments. The soft grip surface of the shell chair consists of a bio-composite material enforced with excess wood fibers visible to the eyes and hands, making every chair unique and a very different tactile experience from other conventional shell chairs.

Models

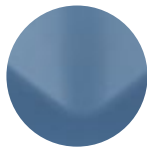
Shell: Bio composite with wood fibre



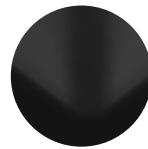
ANTRACIT BIO
NCS S9000-N



BEACH BIO
NCS S 2502-Y



AQUA BIO
NCS S4020-B



BLACK BIO
RAL 7016

Upholstery: No upholstery / Seat Pad / Inside upholstery / Fully upholstered

Frame: Aluminium / Black

Accessories: Inno Tab[®], extra high gaslift, Free Float, gaslift incl. footring, aluminium base

Four Me 66[®]

Design: Strand & Hvass

Materials

Shell

Bio Composite: WPC with wood fibre (min. 20 %). Recyclable. Meets the RoHS and REACH directives and are halogenfree.
Foam: Type CMHR-65H eco-tex standard 100 and The Furniture and Furnishings (Fire) (Safety) Amended Regulations 1989 Schedule 1, Part 1.
Glue Foam: SABA Activator 3739, Aquabond RSD 3801 blue.
Foam thickness: seat 15 mm. Inside upholstery 15 mm. Fully upholstery 20/10/5 mm.

Frame

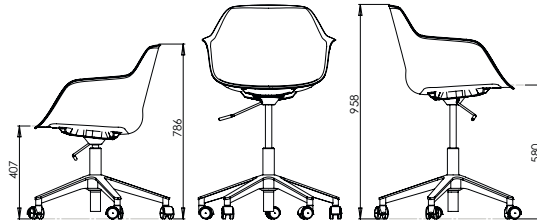
Tube: Ø16 x 2, Docol 500.
Ferrule: PA
Foam thickness: Seat 15 mm. Inside upholstery 15 mm.
Gas lift: St. 37
Lock: ABS/Pa6

Dimensions

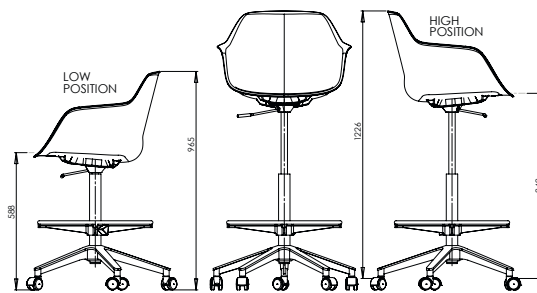
Weight: 7,5 kg. with Inno[®]Tab: + 4,2 kg.
Dimensions are valid for chairs in Bio Composite and without upholstery.

Four Me 66[®]

Design: Strand & Hvass



Four Me 66



Four Me 66, extra high gaslift



Four Me 66, Inno Tab

Four Me 66[®]

Design: Strand & Hvass



Inno Tab[®]

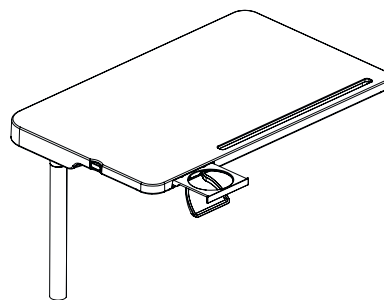
Writing tablet for Four Me 66[®].

Inno Tab[®] is mounted on Four Me 66[®] via a very strong steel construction.

New foldable Inno Tab[®]: 20 mm ABS, PA6+GF30 inkl. cupholder ABS, PP

Dimensions: 520 x 320 mm.

Arm: Steel S235, powder coated, black.



Four Me 66[®]

Design: Strand & Hvass

ISO14001

We are aware of our environmental responsibilities. We strive towards a minimal burden in the internal and external environment. The internal environment is evaluated through a careful examination of components and materials used in the production manufacturing processes. The external environment is monitored through laws and regulations.

It is important to Four Design that our suppliers abide to the environmental laws regarding production and handling of waste materials. It is our goal to always use environmentally friendly raw materials.

Four Design A/S can document our commitment to the environment. We have been awarded the Miljøforum Fyn's Environment Diploma and obtained the ISO14001 certificate in 2011.

Recycling

General: The chair can be separated into parts.

Metal parts: can be disposed and recycled by an approved environment and raw materials organization.

Lacquered frames are treated with a paint classified as not dangerous according to directive 1999/45/EF.

Shells: Can be recycled. The shell will be granulated and reused in new seat shell production.

Upholstery is not recyclable, must be disposed of in the incinerator.

Maintenance

We kindly refer to our Maintenance Guide:

http://www.fourdesign.dk/pdf/FourDesign_Cleaning.pdf

Warranty

Four Design provides an extended warranty of 5 years on all products in our official price list.

The warranty covers breakage of frames and damage occurred because of deficient craftsmanship performance under normal use.

The warranty shall lapse if the product shows signs of mishandling abuse or other physical damage. The warranty does not cover those parts of the product which are exposed to abrasion during use.

Tests

Bio Composite: ZEK / 01.2-08, Testing and Validation of Polycyclic Aromatic Hydro-carbons (PAH).

All products from Four Design are PVC-free.