

# Four<sup>®</sup> Sure 44

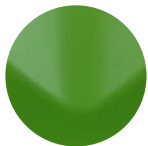
Design: Strand & Hvass



The four-legged Four<sup>®</sup> Sure 44 serves perfectly as a meeting and/or dining chair. The flexible shell offers superb back support. You can choose vibrant colours for an energetic image or maybe go with calm tones for a more natural and Nordic look.

## Models:

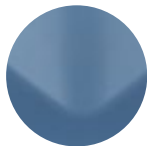
**Shell:** Polypropylene



**JUNGLE GREEN**  
NCS 4050-G40Y



**OLIVE**  
NCS S2040-G80Y



**AQUA**  
NCS S4020-B



**ANTRACIT**  
NCS S9000-N



**SNOW**  
RAL 9010



**BLACK**  
RAL 7016



**ORIENTAL RED**  
NCS S 1580-R



**ORANGE**  
NCS S 2070-Y70R



**BEACH**  
NCS S 2502-Y



**NATURAL BLACK**



**OAK VENEER**

**Upholstery:** No upholstery / Seat Pad upholstery / Inside upholstery

**Shell:** Chrome (III) / Mat white (RAL9010) / Mat black (RAL 9005) / Mat Grey (RAL7039) / Mat Oriental Red / Mat Orange / Mat Jungle Green / Mat Aqua / Mat Olive / Wooden legs

**Accessories:** Griphole, Hook (bags/jacket), Linking Device, Armrest / Loop, Inno<sup>®</sup>Note, Chair Suspension, Teflon / Felt / Noise reducing glides, Trolley / Sack Trolley

# Four<sup>®</sup> Sure 44

*Design: Strand & Hvas*

## Materials:

### Shell

Polyshell: PP, glassfibre reinforced (15%), recyclable.

Meets the RoHS and REACH directives and are halogenfree.

Can be delivered in a 100% recycled material (color: black).

Upholstered shell: 9-11 layer veneer beechwood (12 mm).

Glue veneer: Casco Adhesive 1272.

Foam: Type CMHR-65H eco-tex standard 100. Complies with the REACH and RoHS directives, and The Furniture and Furnishings (Fire) (Safety)

Amended Regulations 1989 Schedule 1, Part 1.

Glue Foam: SABA Activator 3739, Aquabond RSD 3801 blue.

Foam thickness: Seat upholstery: 15 mm. Inside upholstery: 15 mm. (seat) - 10 mm. (back).

### Frame, steel

Tube: Ø16 X 2, Ducol 500.

Glides: PA

Lock: ABS/Pa6

Polsterbeskytter: PP

### Frame, wooden

Wood: Oiled oak Ø26 / 42. Rail 21 x 55 mm.

Glides: PA

Lock: ABS/Pa6

Polsterbeskytter: PP

Armrest: PP black + 15 % TPE (steel: S235)

*About 50 per cent of the total EU steel production is derived from recycled steel.*

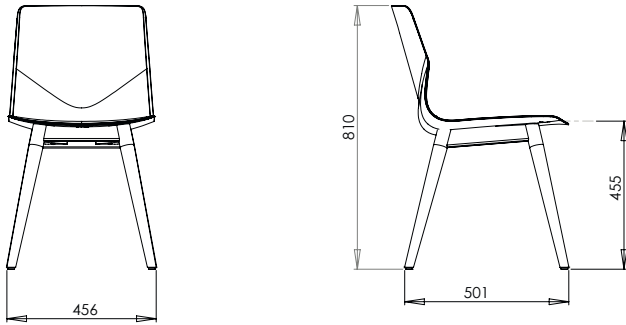
## Dimensions:

Weight: 5 kg no armrest / 5,8 kg with armrest.

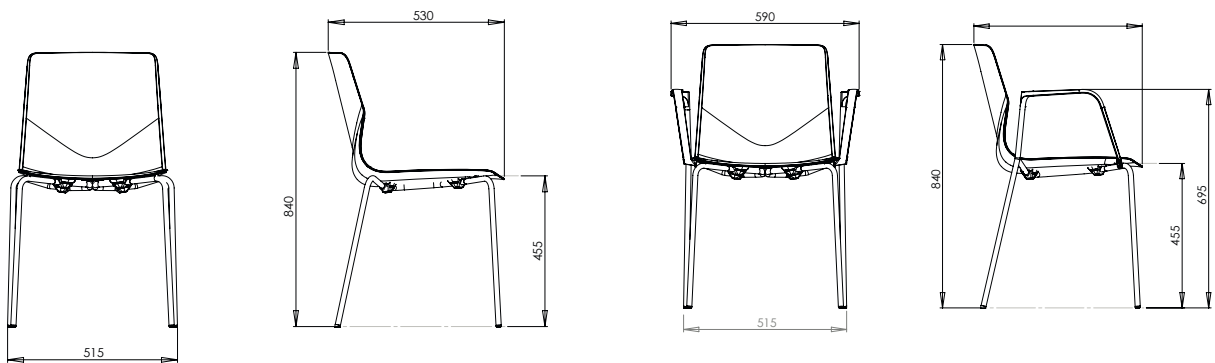
Dimensions are valid for chairs with polyshell w/o upholstery.

# Four<sup>®</sup> Sure 44

Design: Strand & Hvas

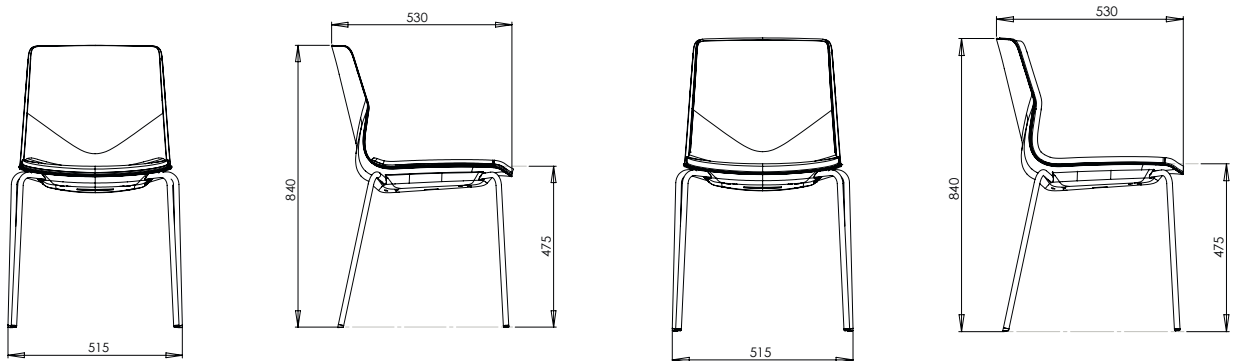


Four Sure 44, wooden legs



Four Sure 44

Four Sure 44, Loop armrest



Four Sure 44, seat pad

Four Sure 44, inside upholstery

# Four<sup>®</sup> Sure 44

Design: Strand & Hvass



## Inno<sup>®</sup>Note:

Writing tablet for Four<sup>®</sup> Sure 44 with integrated cup holder.  
Detachable and foldable.  
Available for chairs with or w/o armrest.

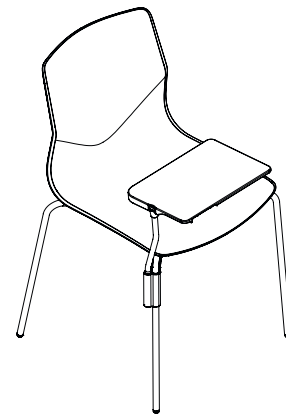
## Materials:

Writing tablet: ABS og PA6GF  
Bracket: PA6GF, Cup holder: ABS + PP  
Arm: Steel CK45, Chrome (III).

Dimensions: 225 x 325 x 20 mm.

## Trolley to Inno<sup>®</sup>Note (51)

L: 1530 mm x B: 660 mm x H: 1120 mm.



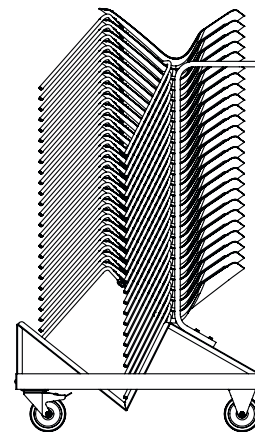
## Trollies:

Trolley options for Four Sure 44 without upholstery (28 chairs)  
L: 1100 mm x W: 560 mm x H: 1900 mm

Trolley options for Four Sure 44 with seat pad (20 chairs)  
L: 1100 mm x W: 560 mm x H: 1800 mm

Trolley options for Four Sure 44 inside upholstery (20 chairs)  
L: 1100 mm x W: 560 mm x H: 193 mm

Sack Trolley for Four Sure 44  
(12 chairs without upholstery and 10 chairs upholstered)



# Four<sup>®</sup> Sure 44

*Design: Strand & Hvas*

## **ISO14001:**

We are aware of our environmental responsibilities. We strive towards a minimal burden in the internal and external environment. The internal environment is evaluated through a careful examination of components and materials used in the production manufacturing processes. The external environment is monitored through laws and regulations.

It is important to Four Design that our suppliers abide to the environmental laws regarding production and handling of waste materials. It is our goal to always use environmentally friendly raw materials. Four Design A/S can document our commitment to the environment.

We have been awarded the Miljøforum Fyn's Environment Diploma and obtained the ISO14001 certificate in 2011.

## **Recycling:**

General: The chair can be separated into parts.

Metal parts: can be disposed and recycled by an approved environment and raw materials organization. Lacquered frames are treated with a paint classified as not dangerous according to directive 1999/45/EF.

Poly shells: can be recycled. The shell will be granulated and reused in new seat shell production.

Upholstery and veneer shells is not recyclable, They must be disposed by incineration

## **Maintenance:**

We kindly refer to our Maintenance Guide:  
[http://www.fourdesign.dk/pdf/FourDesign\\_Cleaning.pdf](http://www.fourdesign.dk/pdf/FourDesign_Cleaning.pdf)

## **Warranty:**

Four Design provides an extended warranty of 5 years on all products in our official price list. The warranty covers breakage of frames and damage occurred because of deficient craftsmanship performance under normal use. The warranty shall lapse if the product shows signs of mishandling abuse or other physical damage. The warranty does not cover those parts of the product which are exposed to abrasion during use.

## **Tests:**

PolysHELLS: ZEK / 01.2-08, Testing and Validation of Polycyclic Aromatic Hydro-carbons (PAH).  
All products from Four Design are PVC-free.

- Ansi/Bifma X 5.1 - 2011
- EN 16139 L2
- EN13761
- EN 1021-1