

# FourSure<sup>®</sup> 88

Design: Strand+Hvass



Add beautiful, slim lines to the FourSure<sup>®</sup> chair by choosing a skid frame. FourSure<sup>®</sup> 88 can be upgraded with fixed seat pad or inside upholstery for even better comfort.

Have you seen the monochrome versions too?

The chair is highly suitable for ancillary areas, canteens or casual meeting facilities.

---

Shell: Polypropylene

Upholstery: No upholstery / Seat Pad / Inside upholstery

Frame: Chrome (III) / Mat white (RAL9010) / Mat black (RAL 9005) / Mat Grey (RAL7039) / Mat Oriental Red / Mat Orange / Mat Jungle Green / Mat Aqua / Mat Olive / Mat Beach / Mat Antracite

Accessories: Griphole, Hook (bags/jacket), Linking Device, Armrest, Inno<sup>®</sup>Note, Chair Suspension, Teflon / Felt glides, Trolley / Sack Trolley

## Tests

Ansi/Bifma X 5.1 - 2011  
EN 16139 L2  
EN 13761  
EN 1021-1  
GS

All products from Four Design are PVC-free.

## Warranty

Four Design provides an extended warranty of 5 years on all products in our official price list.

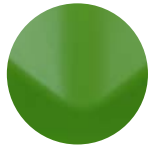
The warranty covers breakage of frames and damage occurred because of deficient

craftsmanship performance under normal use. The warranty shall lapse if the product shows signs of mishandling abuse or other physical damage. The warranty does not cover those parts of the product which are exposed to abrasion during use.



# FourSure<sup>®</sup> 88

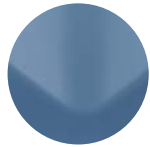
Design: Strand+Hvass



**JUNGLE GREEN**  
NCS 4050-G40Y



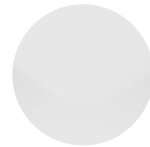
**OLIVE**  
NCS S2040-G80Y



**AQUA**  
NCS S4020-B



**ANTRACIT**  
NCS S9000-N



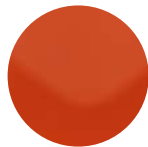
**SNOW**  
RAL 9010



**BLACK**  
RAL 7016



**ORIENTAL RED**  
NCS S 1580-R



**ORANGE**  
NCS S 2070-Y70R



**BEACH**  
NCS S 2502-Y

## Materials

### Shell

Polyshell: PP, glassfibre reinforced (15%), recyclable. Meets the RoHS and REACH directives and are halogenfree. Can be delivered in a 100% recycled material (color: black).

Colors: See this page. Other colors available on request.

Foam: Type CMHR-65H eco-tex standard 100. Complies with the REACH and RoHS directives, and The Furniture and Furnishings (Fire) (Safety) Amended Regulations 1989 Schedule 1, Part 1.

Glue Foam: SABA Activator 3739, Aquabond RSD 3801 blue.

### Frame

Frame: Tube: Ø11, St. 37.

Glides: PA

Armrest: PP black + 15% TPE (steel: S355)

Lock: ABS/Pa6

About 50 per cent of the total EU steel production is derived from recycled steel.

### Dimensions

Weight: 6 kg. no armrest / 6.6 kg. with armrest.

Dimensions are valid for chairs with polyshell w/o upholstery.

\*We kindly refer to our price list for dimensions on other models.



# FourSure<sup>®</sup> 88

Design: Strand+Hvass



## Inno Note<sup>®</sup>

Writing tablet for FourSure<sup>®</sup> 88 with integrated cup holder.  
Detachable and foldable.  
Available for chairs with or w/o armrest.

### Materials

Writing tablet: ABS og PA6GF  
Bracket: PA6GF, Cup holder: ABS + PP  
Arm: Steel CK45, Chrome (III).

Dimensions: 225 x 325 x 20 mm.

Trolley to Inno Note<sup>®</sup> (51)

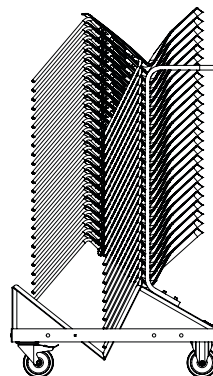
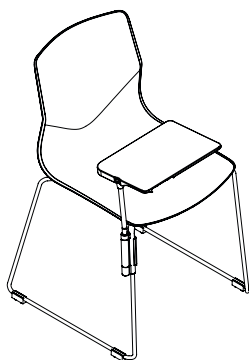
L: 1530 mm x B: 660 mm x H: 1120 mm.

## Trollies

Trolley options for FourSure<sup>®</sup> 88 without upholstery (35 chairs)  
L: 1100 mm x B: 560 mm x H: 1890 mm

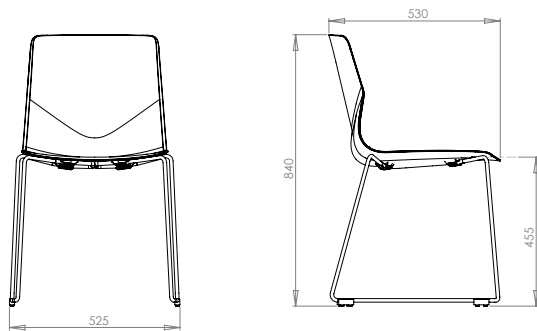
Trolley options for FourSure<sup>®</sup> 88 with seat or  
fully upholsterd (120)  
L: 1100 mm x B: 560 mm x H: 1900 mm

Sack Trolley for FourSure<sup>®</sup> 88  
(12 chairs without upholstery and 10 chairs upholstered)

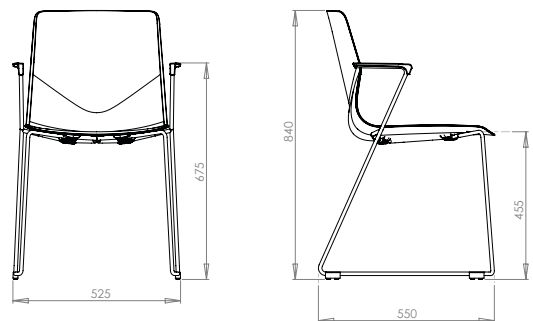


# FourSure® 88

Design: Strand+Hvass



**FourSure® 88**



**FourSure® 88 armrest**

## ISO14001

We are aware of our environmental responsibilities. We strive towards a minimal burden in the internal and external environment. The internal environment is evaluated through a careful examination of components and materials used in the production manufacturing processes. The external environment is monitored through laws and regulations.

It is important to Four Design that our suppliers abide to the environmental laws regarding production and handling of waste materials. It is our goal to always use environmentally friendly raw materials.

Four Design A/S can document our commitment to the environment.

We have been awarded the Miljøforum Fyn's Environment Diploma and obtained the ISO14001 certificate in 2011.

## Recycling

General: The chair can be separated into parts.

Metal parts: can be disposed and recycled by an approved environment and raw materials

organization. Lacquered frames are treated with a paint classified as not dangerous according to directive 1999/45/EF.

Poly shells: can be recycled. The shell will be granulated and reused in new seat shell production.

Upholstery and veneer shells is not recyclable, They must be disposed by incineration

## Maintenance

We kindly refer to our Maintenance Guide:

[http://www.fourdesign.dk/pdf/FourDesign\\_Cleaning.pdf](http://www.fourdesign.dk/pdf/FourDesign_Cleaning.pdf)

