

FourSure[®] 90 / 105

Design: Strand+Hvass



The high skid frame chair, that tells the clear language of calm, scandinavian design. The lines of FourSure[®] as high chair adds lightness to the space layout.

FourSure[®] 90/105 is an elegant, stable and durable choice that complements any high table. The chair is also available as outdoor version.

Shell: Polypropylene

Upholstery: No upholstery / Seat Pad upholstery /
Inside upholstery

Frame: Chrome (III) / Mat white (RAL9010) / Mat black (RAL
9005) / Mat Grey (RAL7039) / Mat Oriental Red / Mat Orange
/ Mat Jungle Green / Mat Aqua / Mat Olive / Mat Beach / Mat
Antracite

Accessories: Griphole, Hook (bags/jacket), chair suspension
Teflon / Felt

Tests

Ansi/Bifma X 5.1 - 2011
EN 16139 L2
EN13761
EN 1021-1
GS

All products from Four Design are PVC-free.

Warranty

Four Design provides an extended warranty of 5 years on all products in our official price list.

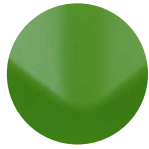
The warranty covers breakage of frames and damage occurred because of deficient

craftsmanship performance under normal use. The warranty shall lapse if the product shows signs of mishandling abuse or other physical damage. The warranty does not cover those parts of the product which are exposed to abrasion during use.



FourSure[®] 90 / 105

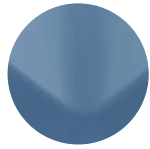
Design: Strand+Hvass



JUNGLE GREEN
NCS 4050-G40Y



OLIVE
NCS S2040-G80Y



AQUA
NCS S4020-B



ANTRACIT
NCS S9000-N



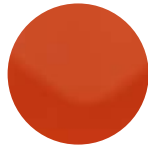
SNOW
RAL 9010



BLACK
RAL 7016



ORIENTAL RED
NCS S 1580-R



ORANGE
NCS S 2070-Y70R



BEACH
NCS S 2502-Y

Materials

Shell

Polyshell: PP, glassfibre reinforced (15%), recyclable. Meets the REACH directive and are halogenfree. Can be delivered in a 100% recycled material (color: black).

Upholstered shell: Veneer beechwood.

Foam: Type CMHR-65H eco-tex standard 100. Complies with the REACH directive, and The Furniture and Furnishings (Fire) (Safety) Amended Regulations 1989 Schedule 1, Part 1.

Glue Foam: SABA Activator 3739, Aquabond RSD 3801 blue.

Frame

Frame: Tube: Ø11, St. 37.

Glides: PA

Lock: ABS/Pa6

About 50 per cent of the total EU steel production is derived from recycled steel.

Dimensions

Weight: FourSure 90: 6.9 kg

FourSure 105: 7.6 kg

Dimensions are valid for chairs with polyshell w/o upholstery.

*We kindly refer to our price list for dimensions on other models.

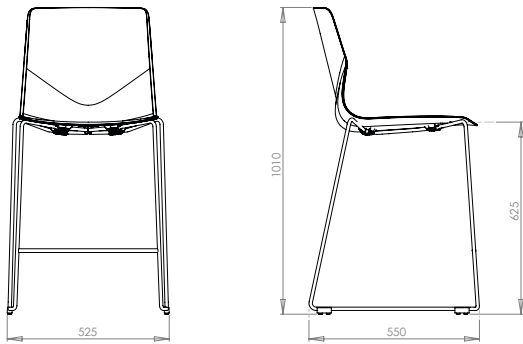
GS version

Non-slip coating on footrests.

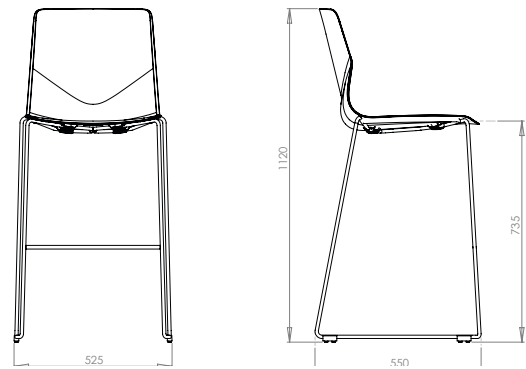


FourSure[®] 90 / 105

Design: Strand+Hvass



FourSure[®] 90



FourSure[®] 105

ISO14001

We are aware of our environmental responsibilities. We strive towards a minimal burden in the internal and external environment. The internal environment is evaluated through a careful examination of components and materials used in the production manufacturing processes. The external environment is monitored through laws and regulations.

It is important to Four Design that our suppliers abide to the environmental laws regarding production and handling of waste materials. It is our goal to always use environmentally friendly raw materials.

Four Design A/S can document our commitment to the environment.

We have been awarded the Miljøforum Fyn's Environment Diploma and obtained the ISO14001 certificate in 2011.

Recycling

General: The chair can be separated into parts.

Metal parts: can be disposed and recycled by an approved environment and raw materials

organization. Lacquered frames are treated with a paint classified as not dangerous according to directive (EF) no. 1272/2008.

Poly shells: can be recycled. The shell will be granulated and reused in new seat shell production.

Upholstery and veneer shells is not recyclable, They must be disposed by incineration

Maintenance

We kindly refer to our Maintenance Guide:

http://www.fourdesign.dk/pdf/FourDesign_Cleaning.pdf

