

Four[®] Sure Audi

Design: Strand & Hvass / Concept: Four Design

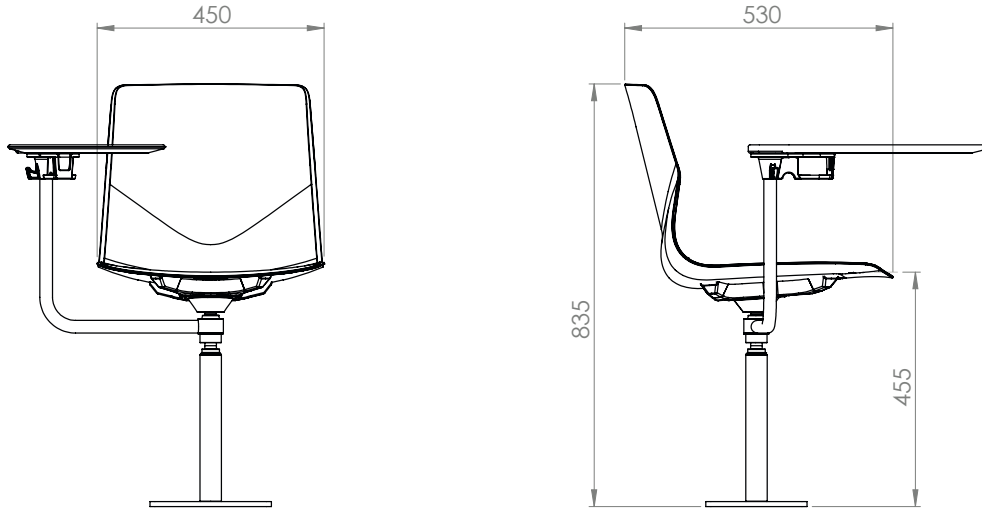


Four[®] Sure Audi is the 'new black' in auditorium furnishing. Four[®] Sure Audi is designed to offer you the maximum comfort and ergonomic support thanks to the V-shaped back, the flexible shell and integrated tilt mechanism.

Adjust the patented, movable PC tablet for your individual use, and listen, learn, move, rest, teamwork in small groups – you can do it all with great comfort at all hours.

Four[®] Sure Audi

Design: Strand & Hvass | Concept: Four Design



Materials:

Polyshell: PP, glassfibre reinforced (15/40%), recyclable. Meets the RoHS and REACH directives and are halogenfree. Can be delivered in a 100% recycled material (color: black).

Colors: See this page. Other colors available on request.

Foam thickness: Seat upholstery: 15 mm. Inside upholstered: 15 mm.

Seat/Inside upholstery: Veneer beechwood.

Foam: Type CMHR-65H eco-tex standard 100. Complies with the REACH and RoHS directives, and The Furniture and Furnishings (Fire) (Safety) Amended Regulations 1989 Schedule 1, Part 1.

Glue Foam: SABA Activator 3739, Aquabond RSD 3801 blue.

Frame: Tube: Ø16 X 2, st. 37.

Inno[®]Audi: Laminated plywood, coated with Micro Power lacquer.

Cup&Coat: ABS. Powder coated steel arm.

About 50 per cent of the total EU steel production is derived from recycled steel..

Dimensions:

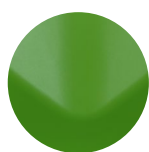
Weight: .

Dimensions are valid for chairs with polyshell w/o upholstery.

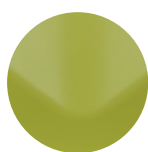
*We kindly refer to our price list for dimensions on other models.

Four[®] Sure Audi

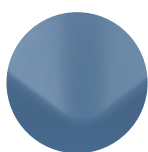
Design: Strand & Hvass / Concept: Four Design



JUNGLE GREEN
NCS 4050-G40Y



OLIVE
NCS S2040-G80Y



AQUA
NCS S4020-B



ANTRACIT
NCS S9000-N



SNOW
RAL 9010



BLACK
RAL 7016



ORIENTAL RED
NCS S 1580-R



ORANGE
NCS S 2070-Y70R



BEACH
NCS S 2502-Y

Models:

Shell: Polypropylene

Upholstery: No upholstery / Seat upholstery

Frame: Mat black (RAL 9005)

Accessories:

- Inno[®]Audi tablet, model B and C, incl. cup&coat holder.
- Extra height and foot ring
- Return function
- Gaslift (seat height 46-53 cm.)

Four[®] Sure Audi

Design: Strand & Hvas / Concept: Four Design



Inno[®]Audi:

Writing tablet for Four[®]Sure Audi with integrated cup holder.

Writing tablet in laminated plywood and coated with Micro Power lacquer.



Tablet B 25 x 59 cm



Tablet C 22 x 47 cm

Four[®] Sure Audi

Design: Strand & Hvass / Concept: Four Design

ISO14001:

We are aware of our environmental responsibilities. We strive towards a minimal burden in the internal and external environment. The internal environment is evaluated through a careful examination of components and materials used in the production manufacturing processes. The external environment is monitored through laws and regulations.

It is important to Four Design that our suppliers abide to the environmental laws regarding production and handling of waste materials. It is our goal to always use environmentally friendly raw materials. Four Design A/S can document our commitment to the environment.

We have been awarded the Miljøforum Fyn's Environment Diploma and obtained the ISO14001 certificate in 2011.

Recycling:

General: The chair can be separated into parts.

Metal parts: can be disposed and recycled by an approved environment and raw materials organization. Lacquered frames are treated with a paint classified as not dangerous according to directive 1999/45/EF.

Poly shells: can be recycled. The shell will be granulated and reused in new seat shell production.

Upholstery and veneer shells is not recyclable, They must be disposed by incineration

Maintenance:

We kindly refer to our Maintenance Guide:
http://www.fourdesign.dk/pdf/FourDesign_Cleaning.pdf

Warranty:

Four Design provides an extended warranty of 5 years on all products in our official price list.

The warranty covers breakage of frames and damage occurred because of deficient craftsmanship performance under normal use.

The warranty shall lapse if the product shows signs of mishandling abuse or other physical damage. The warranty does not cover those parts of the product which are exposed to abrasion during use.

Tests:

Polyshells: ZEK / 01.2-08, Testing and Validation of Polycyclic Aromatic Hydro-carbons (PAH). All products from Four Design are PVC-free.

Inno[®]Audi - surfaces (high pressure laminate):

- DS/INF. 132, 2002
- DS/EN 12720, 2009
- DS/EN 12722, 2009
- EN 1021-1
- SIS 839117
- SS 83 91 22, 1981