

# Inno Pod<sup>®</sup> & Inno Pod Big<sup>®</sup>

*Design: Anders Nørgaard*



Inno Pod<sup>®</sup> is developed based on the physical and psychological challenges that we meet in modern work and study facilities. For Four Design the challenge has been to create a room that reduces noise, creates tranquility, improves mobility, and reduces the activity in our natural center of fear (amygdala), enabling the ability to concentrate everywhere.

Inno Pod<sup>®</sup> is mobile and easily moved and linked together with other Inno Pods<sup>®</sup>, when group work is the best working method. Inno<sup>®</sup>Pod is perfect for large spaces, walking areas, where you need a Touch down workplace, or for peace to work in open-plan offices.

## **Models**

Inno Pod<sup>®</sup>, Inno Pod Big<sup>®</sup>

**Upholstery:** Fully upholstered

**Table Tops:** 810 x 490 mm / 1180 x 1180 mm

**Accessories:** Table tops, chair suspension

# Inno Pod<sup>®</sup> & Inno Pod Big<sup>®</sup>

*Design: Anders Nørgaard*

## Materials

Steel frame: S235, Raw

Foam top: N1833, 15 mm. and N1833, 10 mm.

Foam Sides: Inder foam 1833, 30 mm. Inside 1833, 10 mm. Outside 1833, 10 mm.

Castors Ø100: PA6

Table top: 19 mm. chipboard

Fittings to table top: Black ABS

Plate: Plywood 4 mm.

Fillet: Pine

Cover bung: PA

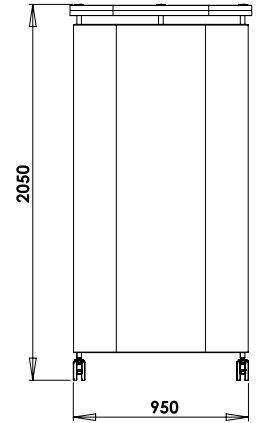
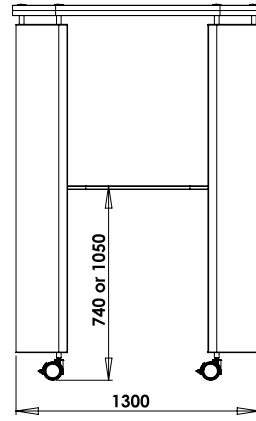
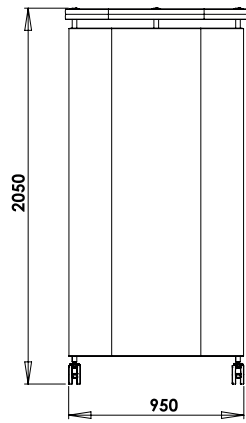
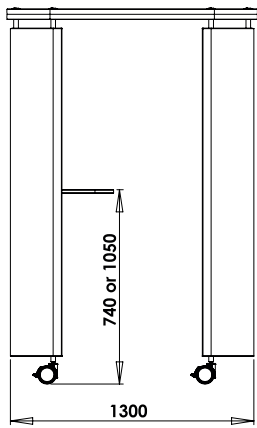
## Dimensions

Inno Pod: 2050 x 1300 x 950 mm.

Inno Pod Big: 2050 x 1950 x 950 mm.

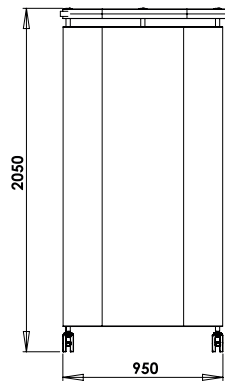
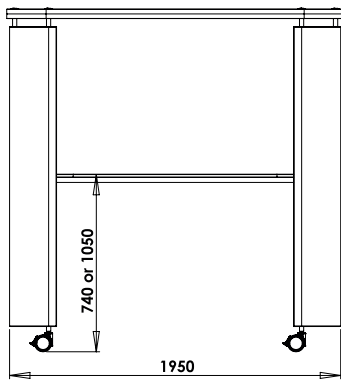
# Inno Pod<sup>®</sup> & Inno Pod Big<sup>®</sup>

Design: Anders Nørgaard



Inno Pod with small table top

Inno Pod with big table top



Inno Pod Big

# Inno Pod<sup>®</sup> & Inno Pod Big<sup>®</sup>

*Design: Anders Nørgaard*

## ISO14001

We are aware of our environmental responsibilities. We strive towards a minimal burden in the internal and external environment. The internal environment is evaluated through a careful examination of components and materials used in the production manufacturing processes. The external environment is monitored through laws and regulations.

It is important to Four Design that our suppliers abide to the environmental laws regarding production and handling of waste materials. It is our goal to always use environmentally friendly raw materials. Four Design A/S can document our commitment to the environment.

We have been awarded the Miljøforum Fyn's Environment Diploma and obtained the ISO14001 certificate in 2011.

## Maintenance

We kindly refer to our Maintenance Guide:  
[http://www.fourdesign.dk/pdf/FourDesign\\_Cleaning.pdf](http://www.fourdesign.dk/pdf/FourDesign_Cleaning.pdf)

## Warranty

Four Design provides an extended warranty of 5 years on all products in our official price list. The warranty covers breakage of frames and damage occurred because of deficient craftsmanship performance under normal use. The warranty shall lapse if the product shows signs of mishandling abuse or other physical damage. The warranty does not cover those parts of the product which are exposed to abrasion during use.

## Tests

All products from Four Design are PVC-free.

- EN 1023