

Outdoor

Design: Strand & Hvass | Concept: Four Design

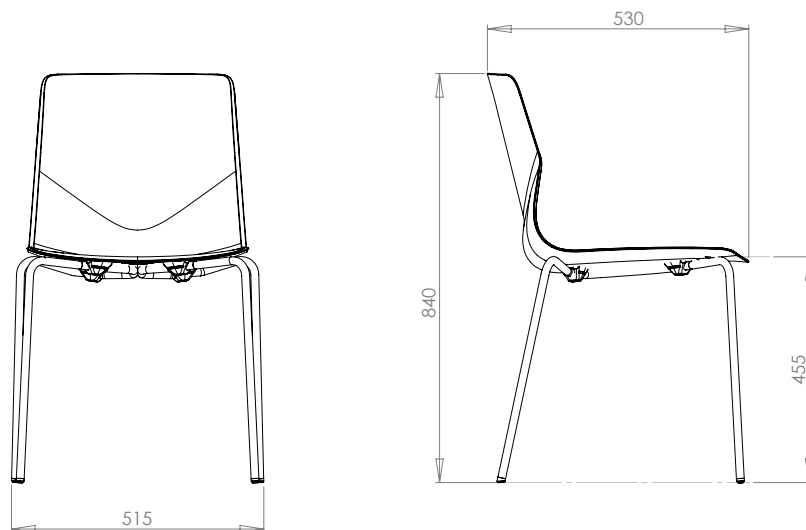


The Outdoor collection is made specially for outdoor use at temperatures down to -50C. All screws and brackets are made of stainless steel, and the frames are powder lacquered and surface treated in accordance with ISO7253 corrosion class C4.

The Outdoor chairs are stackable and have builtin comfort through their unique V-shape and flexible back. The Outdoor table is foldable and has integrated leveling feet. The Outdoor collection is available in endless combinations and can be fitted to perfectly match your specific requirements and decor.

Outdoor

Design: Strand & Hvass | Concept: Four Design



Materials:

Polyshell: PA6, glassfibre reinforced (15%), recyclable.
Meets the RoHS and REACH directives and are halogenfree.
Can be delivered in a 100% recycled material (colour: black).
Colors: See this page bottom right. Other colors available on request.

Outdoor chair with four leg frame:

ø16 x 2mm steel, coated according to ISO 7253 corrosion class C4. Screws and brackets of stainless steel.

Glides: PE

Outdoor chair with skidbase:

ø11mm steel, coated according to ISO 7253 corrosion class C4.

Screws and brackets of stainless steel.

Glides: CRO710344704081

Outdoor table:

Top: Compact laminate

Four leg frame ø32 x 2 mm. steel, coated according to ISO 7253 corrosion class C4.

Screws and brackets of stainless steel.

Leveling feet: LDPE

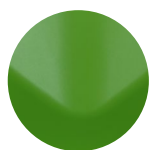
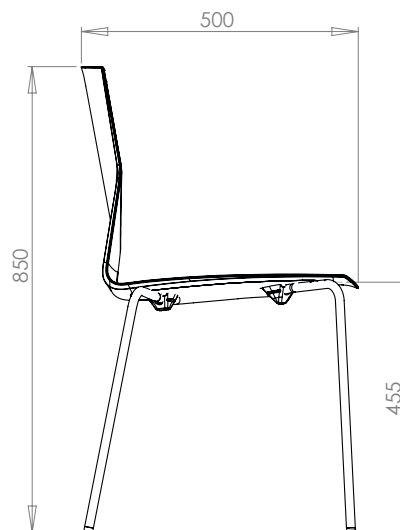
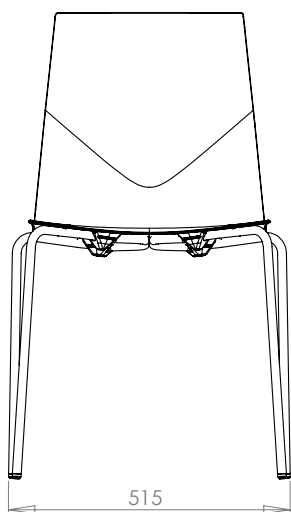
Dimensions:

Weight:

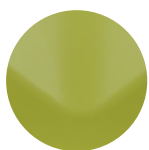
*We kindly refer to our price list for dimensions on other models.

Outdoor

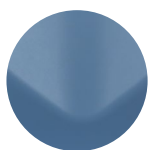
Design: Strand & Hvass | Concept: Four Design



JUNGLE GREEN
NCS 4050-G40Y



OLIVE
NCS S2040-G80Y



AQUA
NCS S4020-B



ANTRACIT
NCS S9000-N



SNOW
RAL 9010



BLACK
RAL 7016



ORIENTAL RED
NCS S 1580-R



ORANGE
NCS S 2070-Y70R



BEACH
NCS S 2502-Y

Models:

Chairs: Four leg or skidbase stackable chairs with polycarbonate and base in white or black matte powder lacquer.

Tables: Table top in compact laminate, white (F2255) or light grey (F7927, with foldable frame in white or black matte powder lacquer)

Accessories:

- Griphole
- Hook (bags/jacket)
- Chair Suspension
- UV-protected

Outdoor

Design: Strand & Hvass | Concept: Four Design

ISO14001:

We are aware of our environmental responsibilities. We strive towards a minimal burden in the internal and external environment. The internal environment is evaluated through a careful examination of components and materials used in the production manufacturing processes. The external environment is monitored through laws and regulations.

It is important to Four Design that our suppliers abide to the environmental laws regarding production and handling of waste materials. It is our goal to always use environmentally friendly raw materials. Four Design A/S can document our commitment to the environment.

We have been awarded the Miljøforum Fyn's Environment Diploma and obtained the ISO14001 certificate in 2011.

Recycling:

General: The chair can be separated into parts.

Metal parts: can be disposed and recycled by an approved environment and raw materials organization. Lacquered frames are treated with a paint classified as not dangerous according to directive 1999/45/EF.

Shells: can be recycled. The shell will be granulated and reused in new seat shell production.

Upholstery: Foam: can be recycled and reused for new foam products.

Upholstery is not recyclable, must be disposed of in the incinerator.

Maintenance:

We kindly refer to our Maintenance Guide:
http://www.fourdesign.dk/pdf/FourDesign_Cleaning.pdf

Tests:

Polysells: ZEK / 01.2-08, Testing and Validation of Polycyclic Aromatic Hydro-carbons (PAH).

All products from Four Design are PVC-free.

Outdoor table:

- EN 15372 L2

High pressure laminate:

- DS/INF. 132, 2002
- DS/EN 12720, 2009
- DS/EN 12722, 2009
- SIS 839117
- SS 83 91 22, 1981

Outdoor Chair, four legs:

- GS
- ANSI/BIFMA x 5.1
- DS/EN 13761
- EN 15373 L3
- CAL-133
- EN 1021-1

Warranty:

Four Design provides an extended warranty of 5 years on all products in our official price list.

The warranty covers breakage of frames and damage occurred because of deficient craftsmanship performance under normal use.

The warranty shall lapse if the product shows signs of mishandling abuse or other physical damage. The warranty does not cover those parts of the product which are exposed to abrasion during use.

Outdoor Chair - Four®Cast2 Line and Four®Sure 88:

- GS
- ANSI/BIFMA x 5.1
- DIN EN 16139 L1
- DS/EN 13761
- CAL-133
- EN 1021-1.