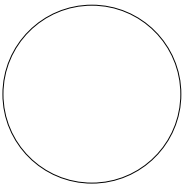


FourReal® A XL

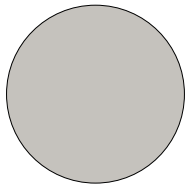
EN

Design: Studio Ocee

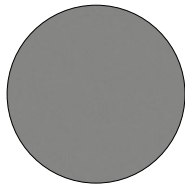
Table top finishes



WHITE DECOR
W450



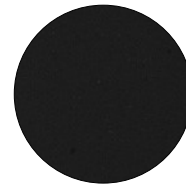
LIGHT GREY EGGER
U763 ST9 DECOR



GREY EGGER U732
ST9 DECOR



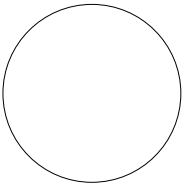
ANTHRACITE ARPA
FENIX 0724



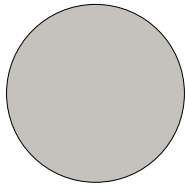
BLACK ARPA FENIX
0720



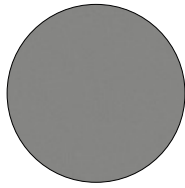
WARM GREY ARPA
FENIX 0718



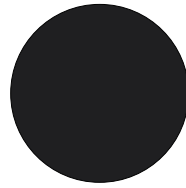
WHITE MDI38
MODEKOR



LIGHT GREY EGGER
U763 ST9 LAMINATE

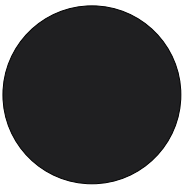


GREY EGGER U732
ST9 LAMINATE

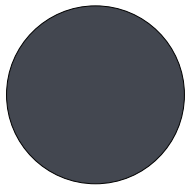


LINOLEUM BLACK

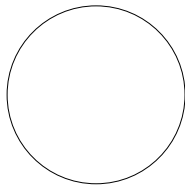
Frame colours



MAT BLACK



MAT GREY



MAT WHITE

Options

Window box 60 cm and 80 cm

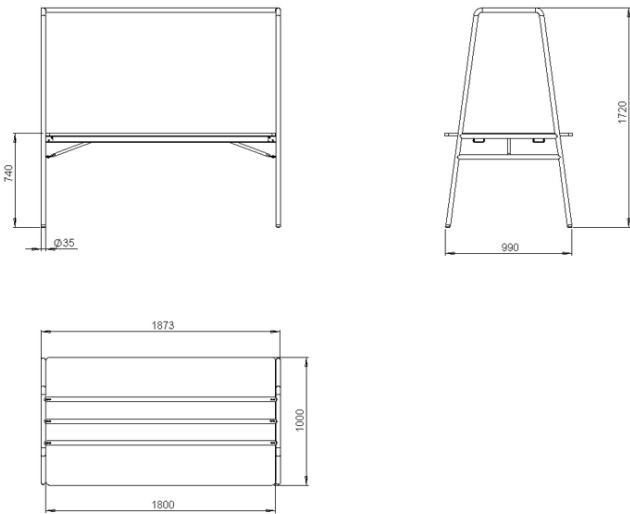
FourReal A Tray 600

FourReal® A XL

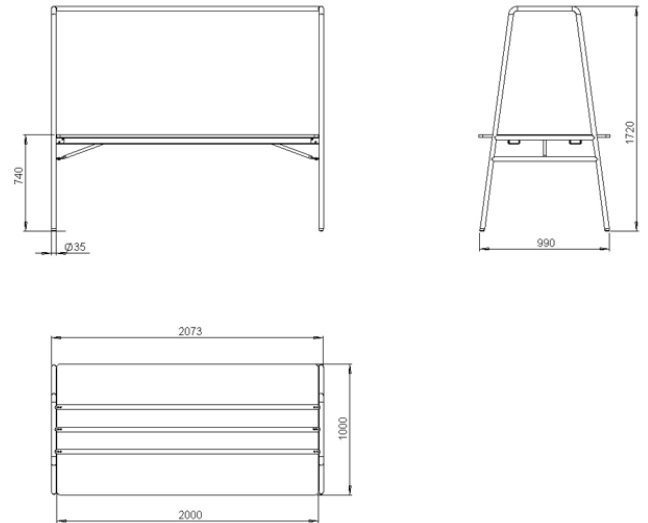
EN

Design: Studio Ocee

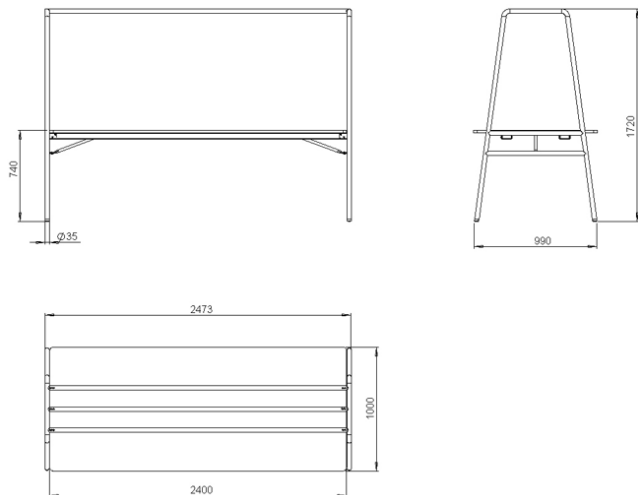
1 FourReal A XL H740xL1800xW1000



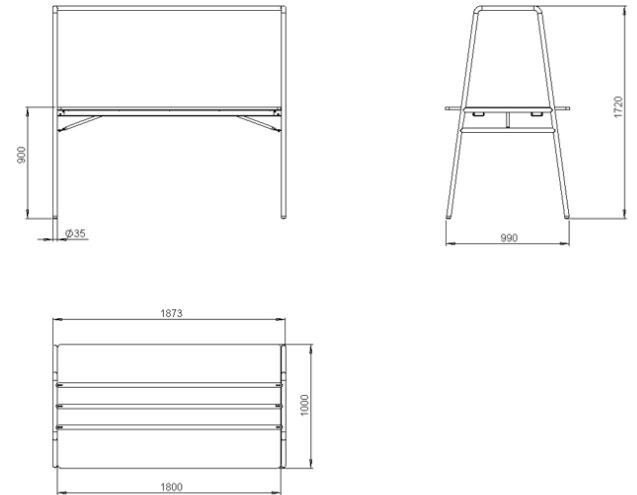
2 FourReal A XL H740xL2000xW1000



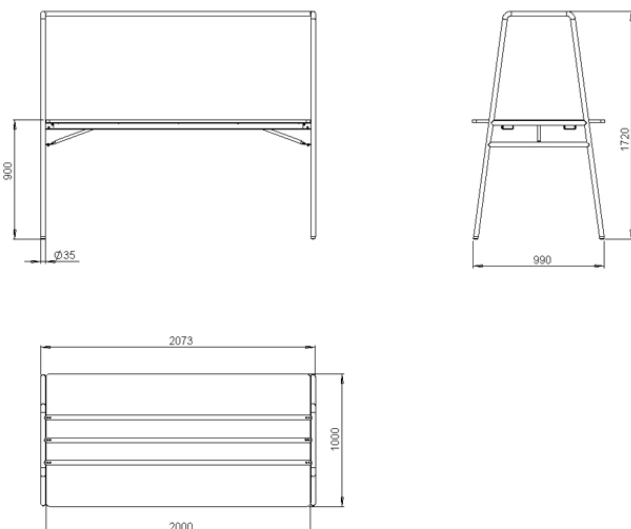
3 FourReal A XL H740xL2400xW1000



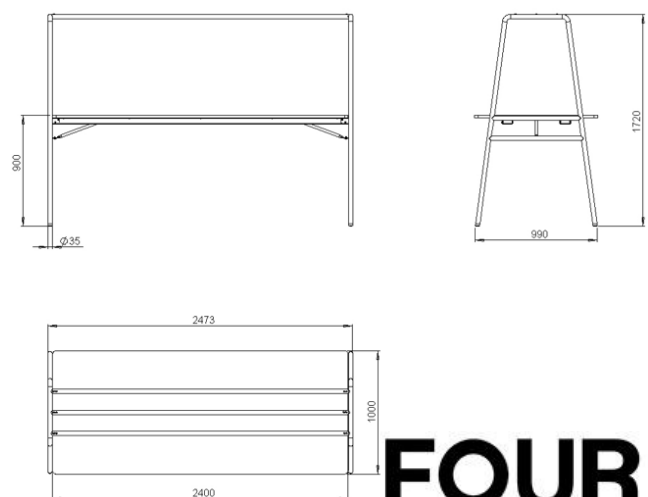
4 FourReal A XL H900xL1800xW1000



5 FourReal A XL H900xL2000xW1000



6 FourReal A XL H900xL2400xW1000



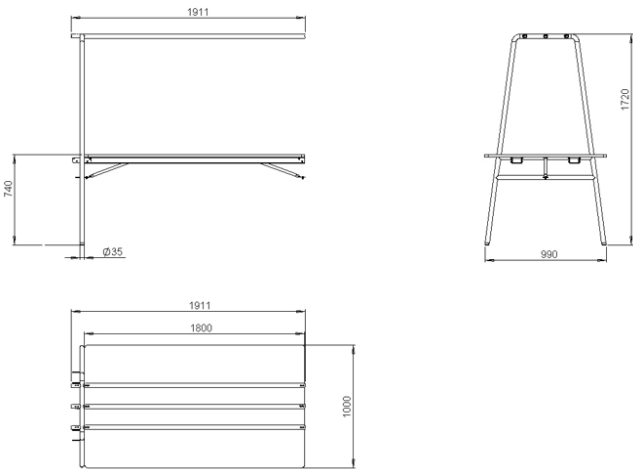
FOUR
DESIGN

FourReal[®] A XL

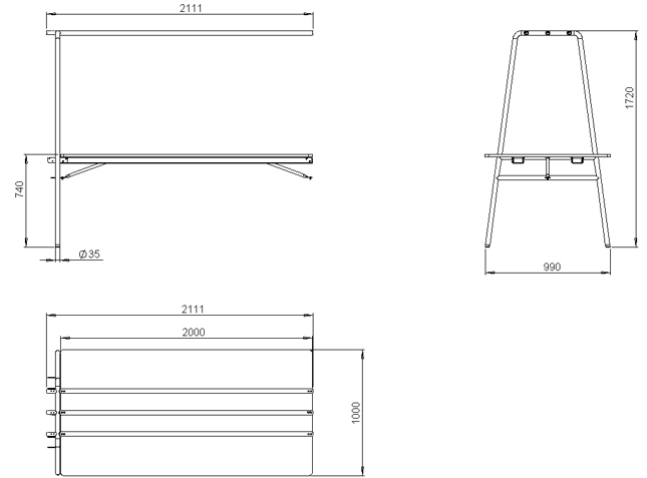
EN

Design: Studio Ocee

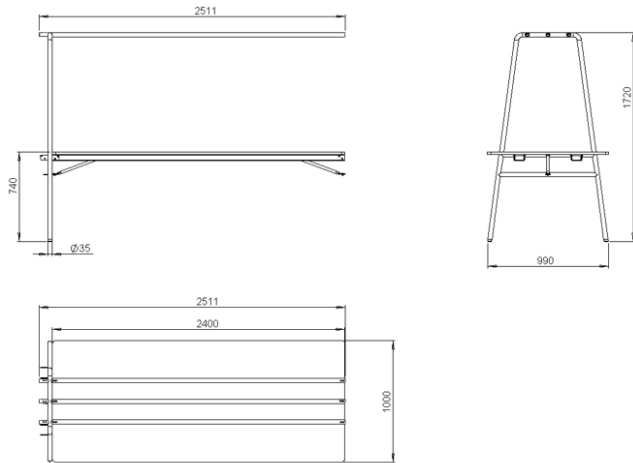
FourReal A XL Extension H740xL1800xW1000



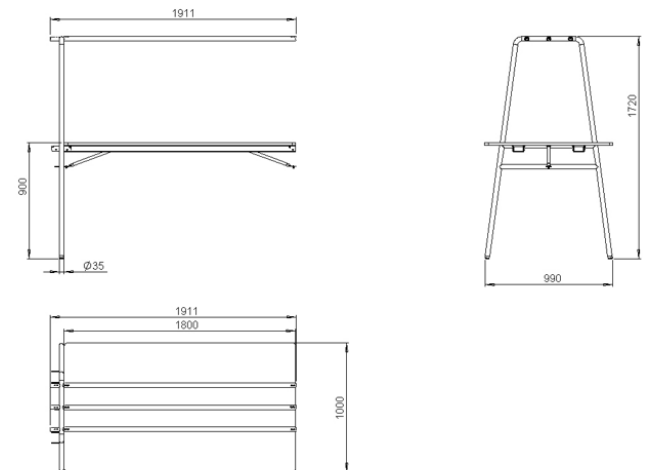
FourReal A XL Extension H740xL2000xW1000



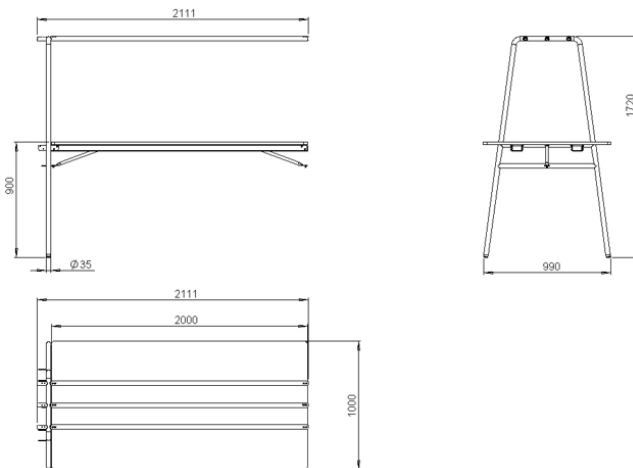
FourReal A XL Extension H740xL2400xW1000



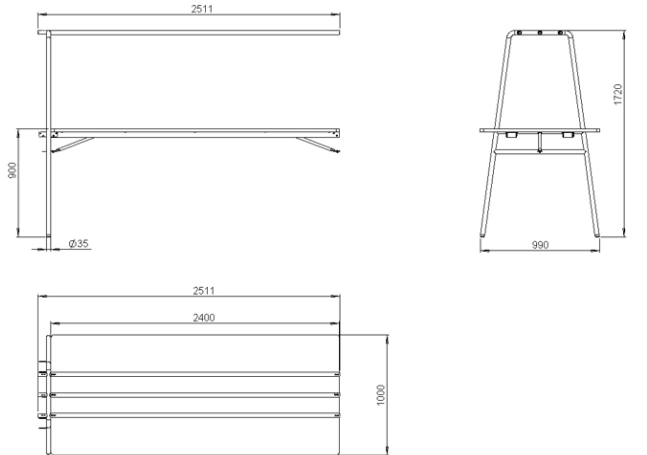
FourReal A XL Extension H900xL1800xW1000



FourReal A XL Extension H900xL2000xW1000



FourReal A XL Extension H900xL2400xW1000



Design: Studio Ocee

Materials

Table top variants

Chip board with Decor laminate and ABS-edge.
Thickness: 19 mm.

Chip board with high-pressure laminate or Fenix laminate and ABS edge.
Thickness 19 mm.

MDF board with linoleum and linoleum edges.
Thickness 23 mm.

Frame

Steel - Form 300 C - EN 10305-3

Gliders: LDPE

Gliders with integrated castors: LDPE

Fasteners

M6x16 Counter sunk screw DIN 7991 10,9: 12 pcs.

M6x16 Button head hexagon: 40 pcs.

M6 Nut hexagon with clamping piece: 18 pcs.

Weight and dimensions

H74:

180x100 cm: 77,1 kg

200x100 cm: 83 kg

240x100 cm: 94,6 kg

H 90:

180x100 cm: 77,1 kg

200x100 cm: 83 kg

240x100 cm: 94,6 kg

Extension H 74:

180x100 cm: 66,2 kg

200x100 cm: 72 kg

240x100 cm: 83,7 kg

Extension H 90:

180x100 cm: 66,2 kg

200x100 cm: 72 kg

240x100 cm: 83,7 kg

Quality and Environment

At Four Design, we are aware of our environmental responsibility.

We strive to reduce our company, and our customer's impact on the environment by producing quality furniture in a sustainable manner.

Procurement

We procure materials from responsible suppliers who comply with our high standards, ensuring that the materials are sustainably sourced and managed, conforming to applicable laws and regulations such as legal logging and chemical restrictions.

Production

We are ISO14001 certified, guaranteeing excellent environmental standards of our manufacturing sites.

Use

Four Design provides a 5-year warranty on all products within our price list. This warranty covers breakage and damage of products occurring because of deficient craftsmanship performance under normal use. The warranty shall lapse if the product shows signs of mishandling abuse or other physical damage. The warranty does not cover those parts of the product which are exposed to abrasion during use.

We kindly refer to our Maintenance Guide: http://www.fourdesign.dk/pdf/Maintenance_Guide.pdf

Recycling

We are working towards the aim for all our products to be minimum 95% recyclable.

Products must be separated into their components and disposed of separately.

All metal parts can be disposed of and recycled by an approved organisation. Lacquered frames are treated with a paint classified as not dangerous according to directive 1999/45/EF.

Wood can either be recycled or incinerated.

Plastic shells can be recycled. The shell will be granulated and reused in new plastic production.

Upholstery and veneer shells are not recyclable but can be disposed of by incineration.