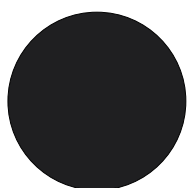
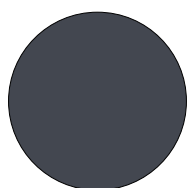


Design: Strand + Hvass

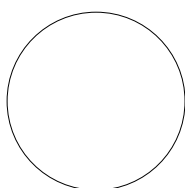
## Shell colour



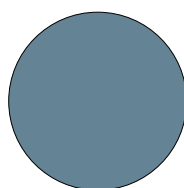
EBONY BLACK



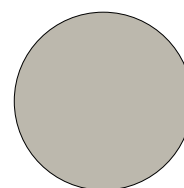
ANTHRACITE



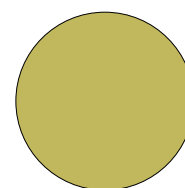
SNOW



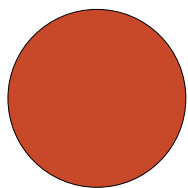
AQUA



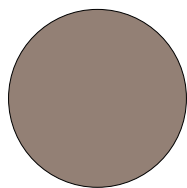
BEACH



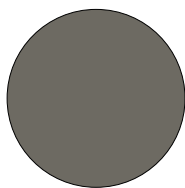
OLIVE



ORANGE

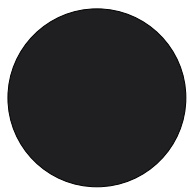


TERRACOTTA

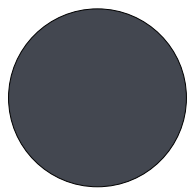


CLAY

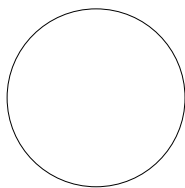
## Frame colour



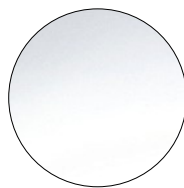
MAT BLACK



MAT GREY



MAT WHITE



CHROME



OAK

## Options

Upholstery: Seat upholstery / inside upholstery / fully upholstered

Grip hole

Linking device

Armrest / Loop

Inno@Note

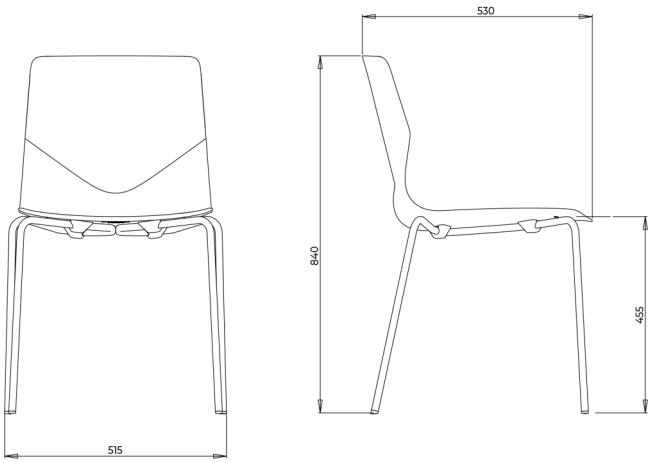
Glides: Teflon / Felt / Noise reducing

# FourSure® 44

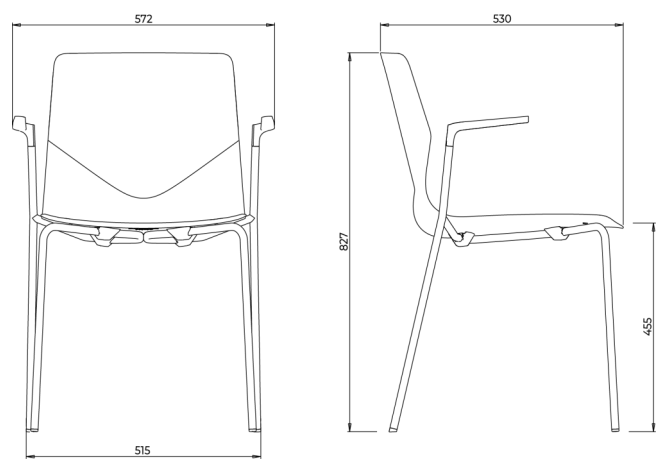
EN

Design: Strand + Hvas

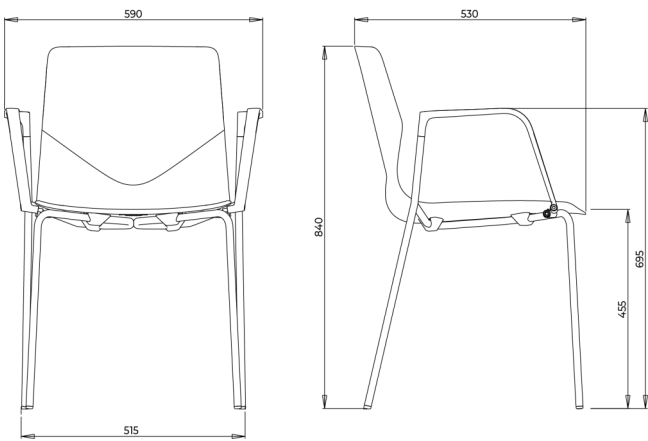
## 1 FourSure 44



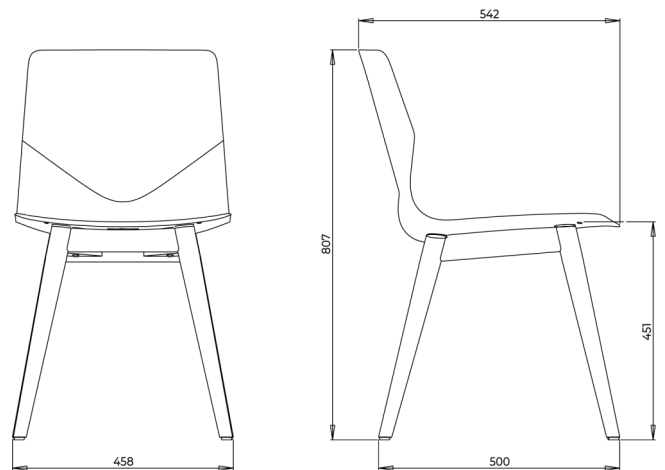
## 2 FourSure 44 Armrest



## 3 FourSure 44 Loop Armrest



## 4 FourSure 44 Wooden legs



Design: Strand + Hvass

## Materials

### Shell

Polyshell: PP, reinforced glass fibre (15%), recyclable. Meets the RoHS and REACH directives and are halogen free.

Can be delivered in a 100% recycled material (colour: black).

Glue veneer: Casco Adhesive 1272.

Foam: Type CMHR-65H eco-tex standard 100. Complies with the REACH and RoHS directives, and The Furniture and

Furnishings (Fire) (Safety)

Amended Regulations 1989 Schedule 1, Part 1.

Glue Foam: SABA Activator 3739, Aquabond RSD 3801 blue.

Foam thickness:

Seat upholstery: 15 mm.

Inside upholstery: 15 mm.

Fully upholstered: 20/10/5 mm.

### Frame, Steel

Tube: Ø16 X 2 mm, Ducol 500

Glides (standard): PA

Lock: ABS/Pa6

Upholstery protector: PP

Armrest: PP black + 15 % TPE (steel: S235)

### Frame, Wood

Wood: Oiled oak or black stained oak.

Legs Ø26 / 42 mm. Rail 21 x 55 mm.

Glides (standard): PA

Lock: ABS/Pa6

Polsterbeskytter: PP

## Weight and dimensions

Weight: 5 kg

With armrest: 6,1 kg

With Loop armrest: 5,9 kg

With wooden frame: 4,95 kg

## Quality and environment

At Four Design, we are aware of our environmental responsibility.

We strive to reduce our company, and our customer's impact on the environment by producing quality furniture in a sustainable manner.

### Procurement

We procure materials from responsible suppliers who comply with our high standards, ensuring that the materials are sustainably sourced and managed, conforming to applicable laws and regulations such as legal logging and chemical restrictions.

### Production

We are ISO14001 certified, guaranteeing excellent environmental standards of our manufacturing sites.

### Use

Four Design provides a 5-year warranty on all products within our price list. This warranty covers breakage and damage of products occurring because of deficient craftsmanship performance under normal use. The warranty shall lapse if the product shows signs of mishandling abuse or other physical damage. The warranty does not cover those parts of the product which are exposed to abrasion during use.

We kindly refer to our Maintenance Guide: [http://www.fourdesign.dk/pdf/Maintenance\\_Guide.pdf](http://www.fourdesign.dk/pdf/Maintenance_Guide.pdf)

### Recycling

We are working towards the aim for all our products to be minimum 95% recyclable.

Products must be separated into their components and disposed of separately.

All metal parts can be disposed of and recycled by an approved organisation. Lacquered frames are treated with a paint classified as not dangerous according to directive 1999/45/EF.

Wood can either be recycled or incinerated.

Plastic shells can be recycled. The shell will be

granulated and reused in new plastic production.

Upholstery and veneer shells are not recyclable but can be disposed of by incineration.